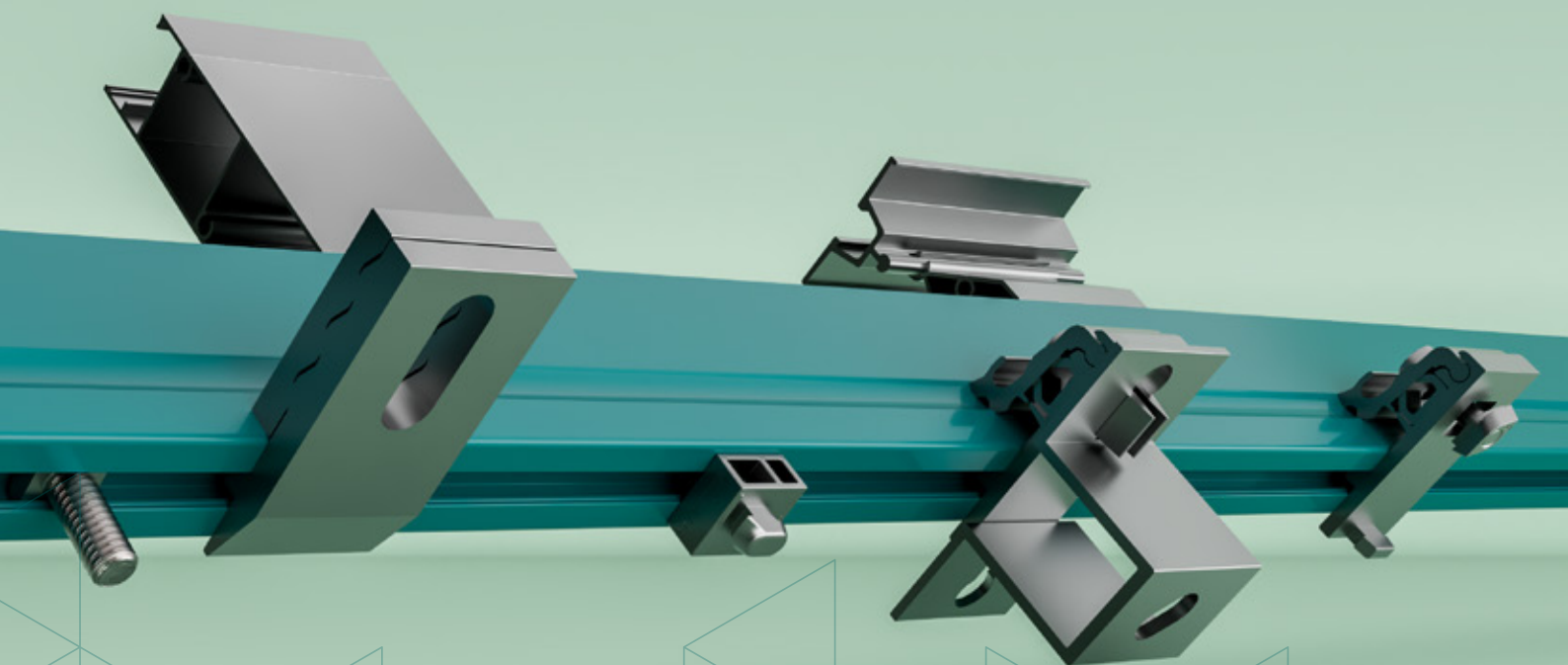


SCHLETTER

PRODUCT CATALOG

2023/4



EN

TABLE OF CONTENTS

COMPONENT OVERVIEW

GENERAL INFORMATION

MATERIALS:

Roof hooks and their main components:
High-grade steel with zinc flake coating, stainless steel 1.4301 or aluminum

Screws:
Stainless steel A2 or better

Sheet metal parts:
Stainless steel 1.4301 or aluminum

Module clamps:
Aluminum

Rubber seal:
EPDM gasket (UV-resistant)

Deviating materials are described with the individual items.

PLANNING AID:

Configuration and structural dimensioning with the Schletter Configurator.

STRUCTURAL ANALYSIS:

Static calculation according to the current country-specific standards (in Germany EN 1991, EC1). Structural analysis supplement for the dimensioning of the number of required fastening points, based on the structural analysis. Please make sure you observe the structural analysis information in each case. The verification of the adhesive force of the roof to the substructure is not included in the general structural analysis appendices.

TOLERANCES:

Production-specific tolerances are to be considered with all dimension specifications.

GLOBAL DISTRIBUTION NETWORK:

On customer request, all companies in the Schletter Group can obtain goods from other branches.

PRESENTATION

Brochures and software 6
Sample case 7

ROOF HOOKS

RapidA Pro roof hooks 10
Classic roof hooks 11
Roof hooks Rapid²⁺ Pro 12
Roof hooks Pro HSL 13
Alu-Tile 14
Special design 15
Accessories 19

SPECIAL FASTENERS

Special fasteners for roofs with steel substructure 22
Special fasteners for roofs with wood substructure 24
Accessories 25
Sheet metal seam clamps 26
Pro sheet metal seam clamps 28
Trapezoidal sheet connection 30

MODULE CLAMPS

Module clamps for framed modules 34
Clamps for laminate modules 36
Laminate clamp accessories 38

PROFILES

Module support and mounting profiles 42
Pro module support and mounting profiles 44
Profile accessories 46
FixZ Pro 48

SUPPORTS

Flat roof system supports 52
Flat roof system and facade supports 53
Green roof supports 54
Beam kit accessories 55
Support accessories 56
Supports system 57

LOAD OPTIMIZED FLAT ROOF SYSTEMS

FixGrid 60
FlatGrid 63
FixGrid Pro 64
FlatGrid Pro 67

PVMAX ENERGY KITS

PvMax-S Kit 72

SCREWS AND SMALL PARTS

Screws and small parts 74



WE SUPPORT SOLAR.

AT SCHLETTER, WE BELIEVE THAT ANY ENTERPRISE, BIG OR SMALL, CAN ONLY BENEFIT FROM PASSIONATE SUPPORT.

And if ever there were an industry worth supporting, it's solar. Which is why we care about the success of every solar company, including yours.

We're here to urge you forward and support your initiative with products engineered to ensure the success of your projects - which will change our lives, and the planet, for the better.

If you don't deserve our support, who does?



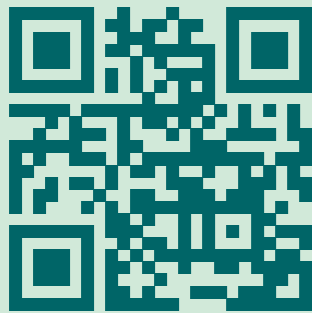
**WATCH OUR NEW
BRAND FILM**



PRESENTATION

BROCHURES AND SOFTWARE PRESENTATION

The latest brochures, product sheets, mounting instructions and further technical information as well as software can always be found in the download area of www.schletter-group.com.



WWW.SCHLETTER-GROUP.COM



NEW SERIES IDENTIFICATION

We would like to make it easier for you to select the products by using the icons. At a glance, you can see which item fits which system. Of course, our expert technicians will continue to be at your disposal should you have any questions in this regard.



COMPATIBLE WITH OUR CLASSIC SERIES



COMPATIBLE WITH OUR PROLINE SERIES

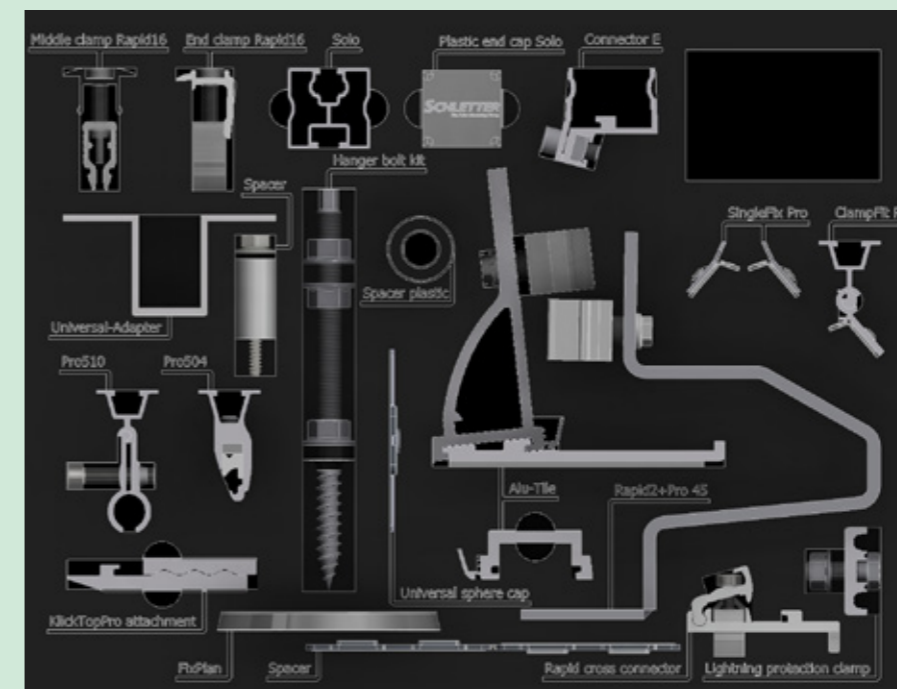
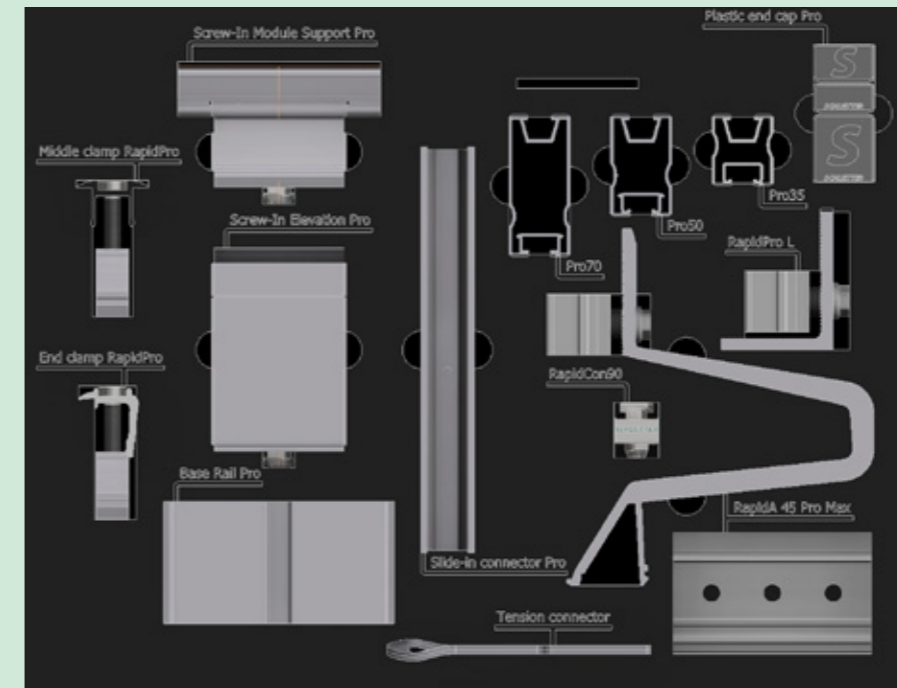
SAMPLE CASE PRESENTATION

UPON REQUEST

195000-397 Sample case of Classic roof systems
Contains samples of major products of the Schletter mounting systems

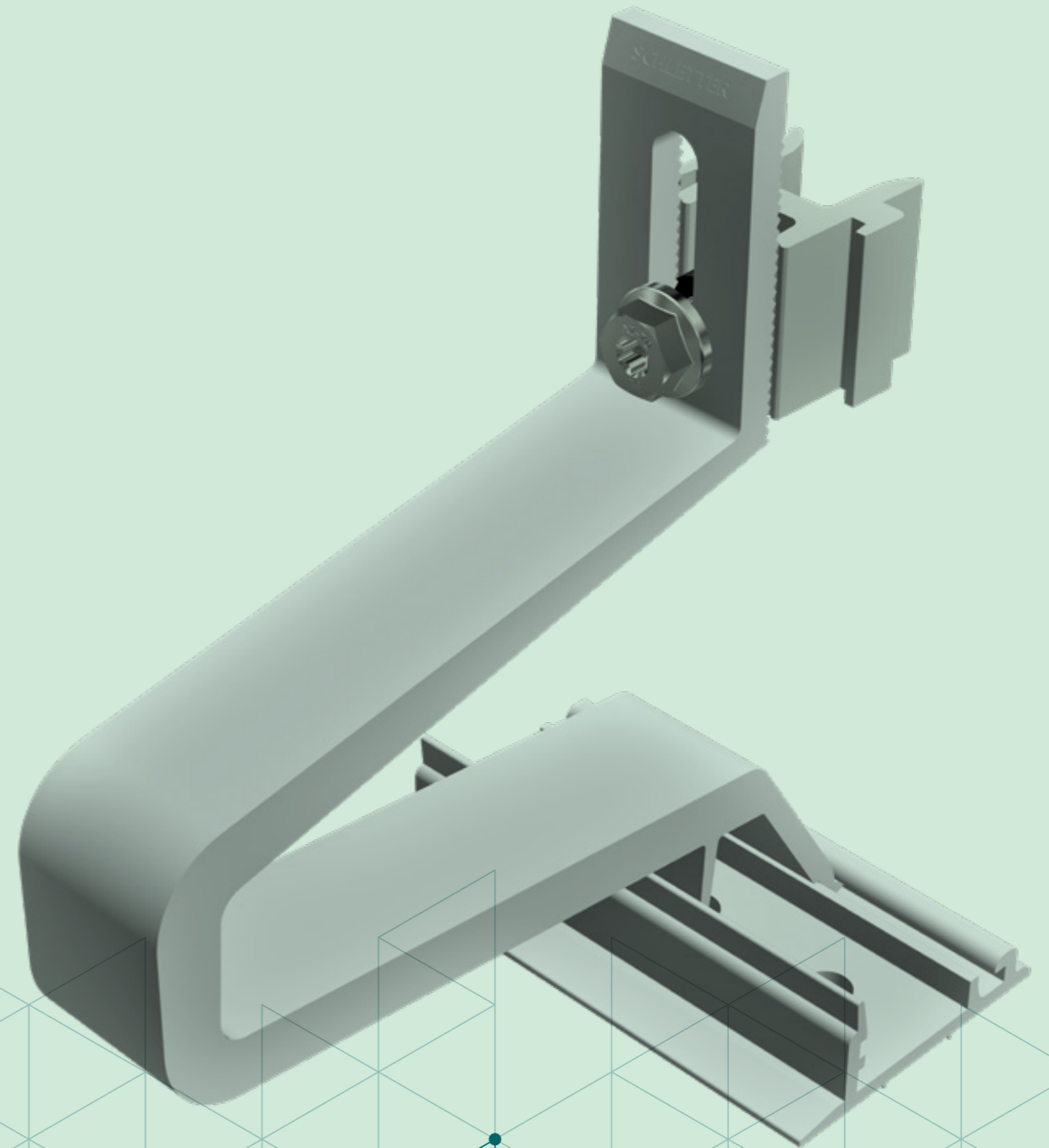


Similar illustrations



ROOF HOOKS

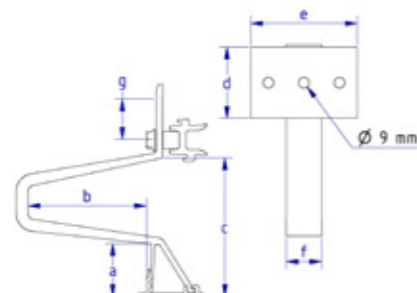
- + RAPIDA PRO ROOF HOOKS
- + CLASSIC ROOF HOOKS
- + RAPID²⁺ PRO ROOF HOOKS
- + PRO HSL ROOF HOOKS
- + ALU-TILE
- + SPECIAL DESIGN ROOF HOOKS
- + BITUMEN ROOF CONNECTION
- + ROOF HOOK ACCESSORIES



RAPIDA PRO ROOF HOOKS

MADE OF ALUMINUM. LIGHTWEIGHT, ECONOMICAL AND EFFICIENT.

- Material: aluminum
- Mounting with only one bolt
- Variable bar arrangement
- Clamping part pre-assembled



100020-100 EcoA 45 Max roof hooks

	a	b	c	d	e	f	
mm	45	98	116	60	100	30	PU: 20

Connection possibilities to all common Schletter profiles; for use with higher snow loads.



101020-220 RapidA 35 Pro Max roof hooks

	a	b	c	d	e	f	g	
mm	35	92	107	60	100	30	30	PU: 30

For use with higher snow loads.



101020-120 RapidA Pro 45 Max roof hooks

	a	b	c	d	e	f	g	
mm	45	98	116	60	100	30	30	PU: 30

For use with higher snow loads.



101024-120 RapidA 45 Pro Universal Max roof hooks

	a	b	c	d	e	f	g	
mm	45	98	116	60	100	30	30	PU: 20

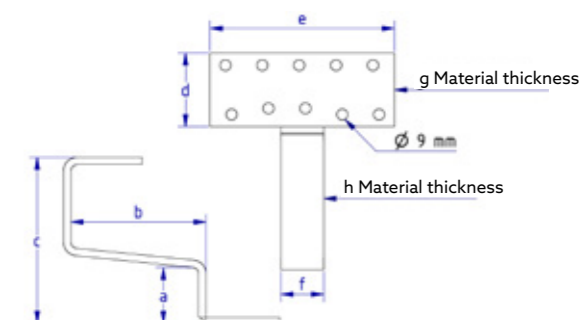
For use with higher snow loads.



CLASSIC ROOF HOOKS

ROOF HOOKS

- All roof hooks made of stainless steel
- Adjustable hooks completely pre-assembled



ROOF HOOKS ECO S

- Roof hooks
- Stainless steel quality
- Welded symmetric bar arrangement



100004-000 Eco S 135 roof hooks (normal height 135 mm)

	a	b	c	d	e	f	g	h	
mm	45	110	135	60	150	35	5	6	PU: 20



100007-000 Eco S 165 roof hooks (normal height 165 mm)

	a	b	c	d	e	f	g	h	
mm	45	110	165	60	150	35	5	6	PU: 20

* Item will be discontinued. Available while stocks last.



UNIVERSAL ROOF HOOKS

- Roof hooks
- Variable bar arrangement
- Adjustable at the front and rear
- Center bar can be used in three positions



100001-000 Universal roof hooks (Frankfurt pantile or interlocking tiles)

	a	b	c	d	e	f	g	h	
mm	42-52	115	102-135	74	150	30	5	6	PU: 20

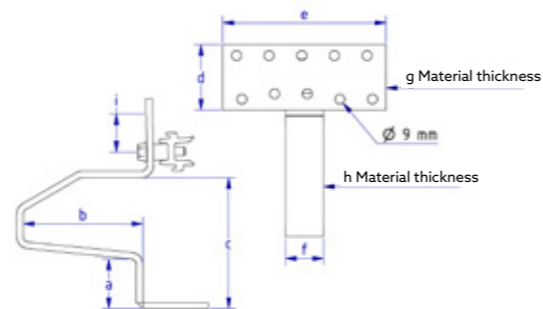
INFORMATION: Please order wood screws, square head screws (M10 x 25 mm) and flange nuts separately. g Material thickness



ROOF HOOKS RAPID²⁺ PRO

ROOF HOOKS

- Roof hooks
- Stainless steel quality
- Welded symmetric bar arrangement
- Pre-assembled



101001-020 Rapid²⁺ Pro 45 roof hooks

	a	b	c	d	e	f	g	h	i	
mm	45	110	118	60	150	35	5	6	30	PU: 20

Comparable with: Eco S 100004-000.



101002-020 Rapid²⁺ Pro 35 roof hooks

	a	b	c	d	e	f	g	h	i	
mm	35	110	108	60	150	35	5	6	30	PU: 20

Like 101001-020, but 35 mm / 1.38-inch fork height for low battens.



101004-020 Rapid²⁺ Pro Universal roof hooks

	a	b	c	d	e	f	g	h	i	
mm	40-52	110	115-127	74	150	35	5	6	30	PU: 10

Universally adjustable, for vertical rail mounting - comparable with: Universal 100001-000.



101005-020 Rapid²⁺ Pro Max roof hooks

	a	b	c	d	e	f	g	h	i	
mm	45	120	125	80	150	35	6	8	30	PU: 10

Like 101001-020, but bar 35 x 8 mm / 1.38 x 0.31 inches for heavy snow loads.



101005-021 Rapid²⁺ Pro Max 150 roof hooks

	a	b	c	d	e	f	g	h	i	
mm	45	150	125	80	150	35	6	8	30	PU: 10

Like 101005-020, but measure b 150 mm.



101006-020 Rapid²⁺ Pro MaxV roof hooks

	a	b	c	d	e	f	g	h	i	
mm	45	120	125	80	150	35	6	8	30	PU: 10

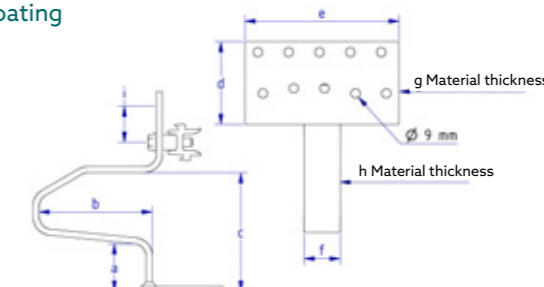
Like 101005-020, but for vertical rail mounting.



ROOF HOOKS PRO HSL

ROOF HOOKS

- Made of high-grade steel, especially for heavy snow loads
- High-grade steel, welded Surface with zinc flake coating
- Welded symmetric bar arrangement
- Pre-assembled



101001-022 Rapid²⁺ Pro 45 HSL roof hooks

	a	b	c	d	e	f	g	h	i	
mm	45	110	115	80	150	35	5	6	30	PU: 20



101005-024 Rapid²⁺ Pro Max HSL roof hooks

	a	b	c	d	e	f	g	h	i	
mm	45	132	114	80	150	35	6	8	30	PU: 10



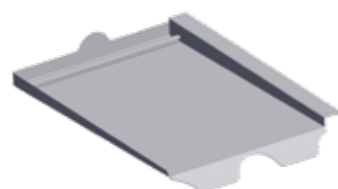
ALU-TILE

ROOF HOOKS

- Replaces a complete roof tile. Please order roof hook set separately.
- Especially for areas with heavy snow loads.
- System hooks with sheet metal replacement tiles in aluminum, EPDM screw seal, load support in plastic with A2 stainless steel screw.

SHEET METAL REPLACEMENT TILES

MANUFACTURER	ITEM NO.	PU: 10
BRAAS		
Frankfurt pantile	103005-003	
Taunus pantile	103005-011	
Harz pantile	103005-022	
Tegalit	103005-025	
Topas 13V	103005-067	
ERLUS		
Interlocking tile	103005-002	
Large interlocking tile	103005-007	
Large interlocking tile XXL	103005-010	
E58	103005-015	
Forma	103005-024	
Linea	103005-049	
Reform pantile XXL	103005-057	
ETERNIT		
Heidelberger	103005-006	
CREATON (FORMERLY MEINDL)		
Rustico	103005-004	
Meindl MZ3 Dorfen NEW	103005-112	



ALU-TILE PRO ROOF HOOK SET

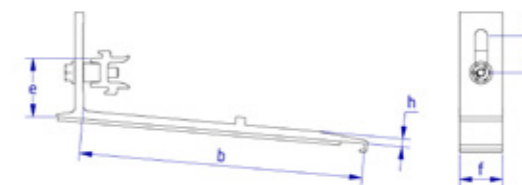
Consists of system hook, screw seals and load support

103006-020 Alu-Tile Pro roof hook set	PU: 10
----------------------------------------------	--------



SPECIAL DESIGN

ROOF HOOKS



SHEET METAL REPLACEMENT TILES AND ROOF HOOK SETS FOR RAPID BEAVER TAIL INCL. MOUNTING SET



PU: 20

109016-007 BEZ Rapid beaver tail AL 180 x 380

109019-020 Roof hooks for Rapid Pro aluminum beaver tail PU: 20

	a	b	c	d	e	f	g	h	i
mm	-	228	-	-	48	35	-	7	30



PU: 20

109016-009 BEZ Rapid beaver tail AL 170 x 380

109019-020 Roof hooks for Rapid Pro aluminum beaver tail PU: 20

	a	b	c	d	e	f	g	h	i
mm	-	228	-	-	48	35	-	7	30



PU: 20

109016-010 BEZ Rapid beaver tail AL 190 x 400

109019-022 Roof hooks for Rapid Pro beaver tail 190 x 400 PU: 20

	a	b	c	d	e	f	g	h	i
mm	-	250	-	-	50	35	-	6	30



PU: 20

109016-008 BEZ Rapid beaver tail Cu 180 x 380

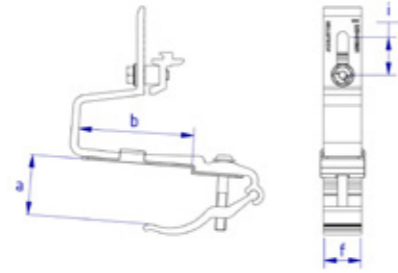
109019-021 Roof hooks for Rapid Pro beaver tail PU: 20

	a	b	c	d	e	f	g	h	i
mm	-	232	-	-	50	35	-	6	30



SPECIAL DESIGN

ROOF HOOKS



PRO-N ROOF HOOKS

Roof hooks for hanging of system roofs made of roof insulation elements

- Fast mounting by clamping to the roof battens
- Protection of the shingles thanks to pre-mounted EPDM molding



109019-025* Pro-N roof hooks										PU: 30
	a	b	c	d	e	f	g	h	i	
mm	35-60	90	-	-	-	30	-	-	30	

*Expected to be available from Q3/2023

PLEASE NOTE: The Pro-N roof hooks are currently available in the Netherlands, Belgium and France.

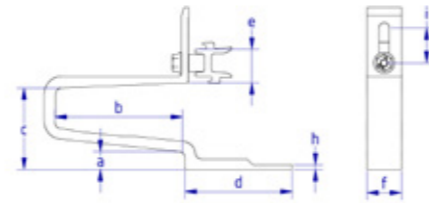


RAPIDA PRO 2L ROOF HOOKS

Roof hooks for system roofs made of roof insulation elements



101028--020 RapidA Pro 2L roof hooks										PU: 30
	a	b	c	d	e	f	g	h	i	
mm	15	110	70	92	30	30	-	4	30	



SPECIAL DESIGN

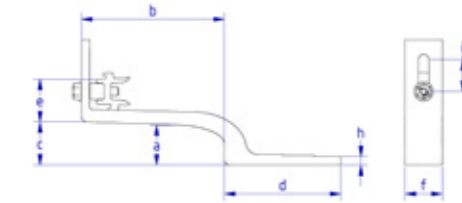
ROOF HOOKS

RAPID²⁺ PRO SLATE ROOF HOOKS

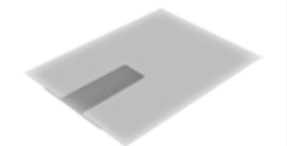
- Fast and easy mounting
- Suitable for many shingle types
- For slate overlaps up to 125 mm
- Roof panel with flexible corrugated strip
- Direct load on rafters



109019-024 Rapid2+ Pro Slate125 roof hooks										PU: 20
	a	b	c	d	e	f	g	h	i	
mm	28	135	41	110	41	35	-	8	30	



109017-010 Shingle for roof hook Rapid2+ Pro Slate125										PU: 20
-------------------------------------------------------	--	--	--	--	--	--	--	--	--	--------

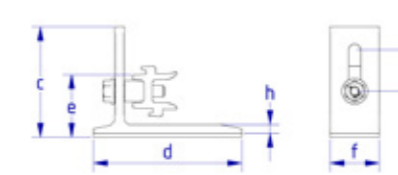


RAPID²⁺ PRO SML

For mounting on the metal shingle



119026-102 Rapid2+ Pro SML roof hooks										PU: 20
	a	b	c	d	e	f	g	h	i	
mm	-	-	78	105	45	35	-	6	29	

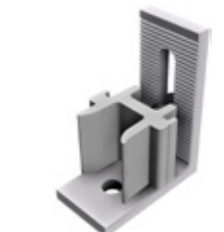
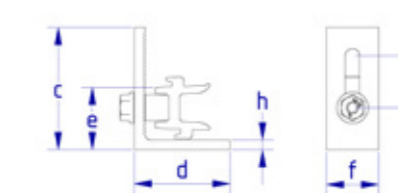


RAPID PRO L

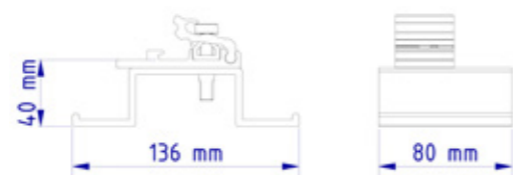
Angle attachment for connecting profiles of the ProLine series



119026-122 RapidPro L										PU: 100
	a	b	c	d	e	f	g	h	i	
mm	-	-	70	55	36	30	-	5.5	29	



BITUMEN ROOF CONNECTION



FIX T-K

The innovative fastener for bitumen roofs on wood casings.



119014-012 Fix T-K PU: 50

PLEASE NOTE: Accessories 973000--041 EPDM rubber (page 78)



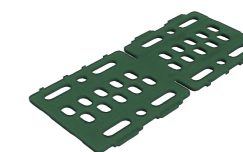
119014-212 Fix T-K Pro PU: 50

PLEASE NOTE: Accessories 973000--041 EPDM rubber (page 78)

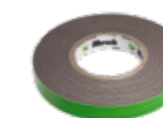
ACCESSORIES

ROOF HOOKS

973000-075 Shim roof hook 2.5/5 mm PU: 100



973000-683 Roof hook sealing tape grey TP600 10 m PU: 15



109008-003 RapFix – extension for Eco roof hooks PU: 50
Especially for roof hooks that are not available as a Rapid version



109008-023 RapFix Pro – extension for Eco roof hooks PU: 50
Especially for roof hooks that are not available as a Rapid version



925120-002 Spacer sleeve, plastic, 1 m

- For rafter insulation
- Usable as a spacer sleeve for rafter insulation in conjunction with extra long fastening screws
- Plastic version prevents cold bridges
- Cut to desired length
- Please order screws separately
- Note reduced load for roof hooks



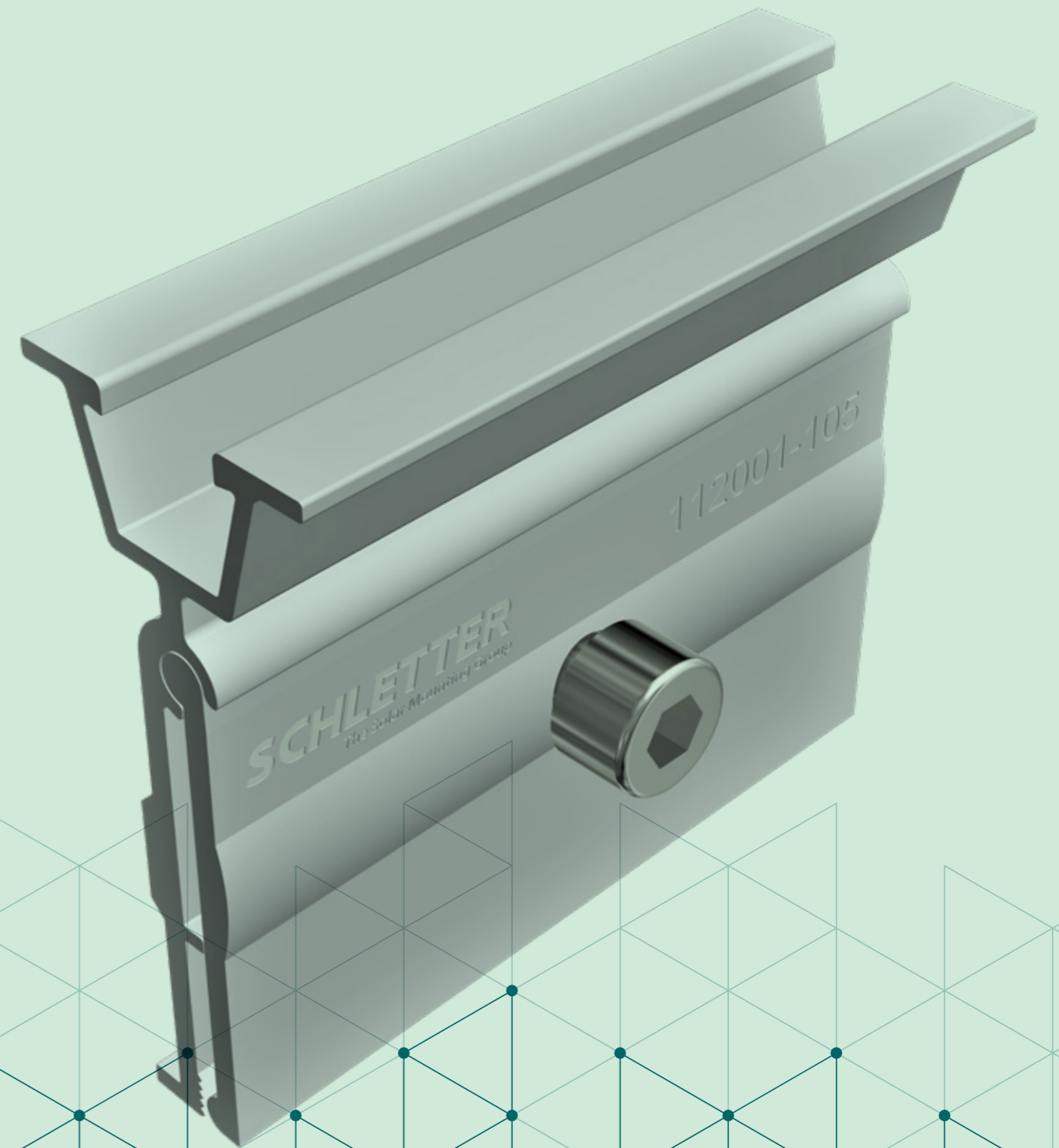
109010-000 Additional bracket Iso07 PU: 20

For roof hook fastening, system Iso07



SPECIAL FASTENERS

- + SPECIAL FASTENERS FOR ROOFS WITH STEEL SUBSTRUCTURE
- + SPECIAL FASTENERS FOR ROOFS WITH WOODEN SUBSTRUCTURE
- + SPECIAL FASTENERS ACCESSORIES
- + SHEET METAL SEAM CLAMPS
- + PRO SHEET METAL SEAM CLAMPS
- + TRAPEZOIDAL SHEET CONNECTION



SPECIAL FASTENERS FOR ROOFS WITH STEEL SUBSTRUCTURE

ROOF COVER: CORRUGATED ROOFS & TRAPEZOIDAL SHEET

THREADED SCREW, SELF-GROOVING, A2



943763-064	6.3 x 64	PU: 100
943763-115	6.3 x 115	PU: 100
943763-150	6.3 x 150	PU: 100
943763-200	6.3 x 200	PU: 50

The mounting points must be pre-drilled with \varnothing 5 mm.



119033-002	Uno M8 universal adapter	PU: 50
119005-000	Seal cap corrugated sheet 5 / 6 / 8	PU: 50
119004-003	Spacer sleeve AL 995 x 20*	PU: 30

Rapid cross connectors (item 129063-000), Rapid Pro cross connectors (129063-010) and threaded screws must be ordered separately.

*The required lengths must be cut to size on site.

+ Adapter = ready to use fastening systems



SPECIAL FASTENERS FOR ROOFS WITH STEEL SUBSTRUCTURES

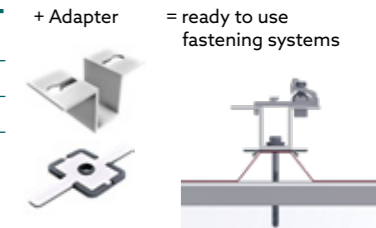
ROOF COVER: CORRUGATED ROOFS & TRAPEZOIDAL SHEET

FIXING ON STEEL PURLINS



119033-002	Uno M8 universal adapter	PU: 50
119005-001	Universal calotte with EPDM	PU: 50

Rapid cross connectors (item 129063-000) and Rapid Pro cross connectors (129063-010) must be ordered separately.

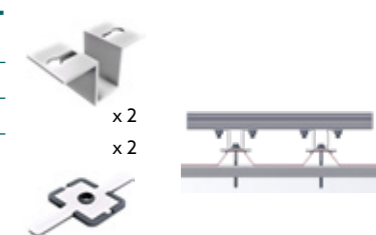


DOUBLE FIXING ON STEEL PURLINS



119033-002	Uno M8 universal adapter	PU: 50
119005-001	Universal calotte with EPDM	PU: 50



For each mounting point, two threaded screws must be calculated. Additionally, the upper profile and the necessary mounting screws must be considered.



SPECIAL FASTENERS FOR ROOFS WITH WOOD SUBSTRUCTURE

ROOF COVER: CORRUGATED ROOFS & TRAPEZOIDAL SHEET

HANGER BOLT



			
110010-200**	Hanger bolt set: 10 x 200, mounted		PU: 50
110210-200*	Hanger bolt set: 10 x 200, mounted		PU: 50
110012-200**	Hanger bolt set 12 x 200 mounted		PU: 50
110212-200*	Hanger bolt set 12 x 200 mounted		PU: 50
110012-300**	Hanger bolt set 12 x 300 mounted		PU: 50
110212-300*	Hanger bolt set 12 x 300 mounted		PU: 50

*Expected to be available from Q3/2023

**Item will be discontinued. Available while stocks last.



Hanger bolt set pre-assembled with vulcanized EPDM seal (UV resistant) and 3 flange nuts in V4A, mounted.





			
119002-000	Mounting plate for hanger bolts M10 / M12 For hanger bolts M10 / M12, loose, aluminum 120 x 60 x 6 mm		PU: 50

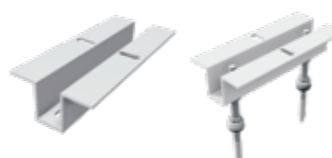
+ Adapter = ready to use fastening systems





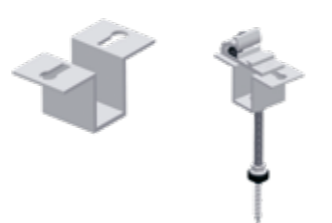
			
119001-020	KlickTop Pro extension part for hanger bolt For hanger bolts M10 / M12, loose, aluminum		PU: 50



			
119033-004	Universal adapter Duo M10 / M12 For hanger bolts M10 / M12, loose, aluminum		PU: 50



			
119033-001	Universal adapter Uno M10 / M12 For hanger bolts M10 / M12, loose, aluminum		PU: 50



Rapid cross connectors (item 129063-000) and Rapid Pro cross connectors (item 129063-010) must be ordered separately.

INFORMATION: For corrugated sheets (such as those of fiber cement) or trapezoidal sheet roofs, corrugated roof fastening sets consisting of a special hanger bolt with EPDM seal and a mounting plate are used. Please note that illustrations and thread lengths may vary.

ACCESSORIES

SPECIAL FASTENERS

FIXPLAN - IN CONNECTION WITH HANGER BOLTS

The alternative for level sheet metal roofs for which fastening on the fold is not possible (e.g. titanium zinc sheet roofs).

114003-000	FixPlan sealing plate	PU: 50
114004-000	Bituplan additional seal for FixPlan For mounting with bitumen coverings	PU: 100



SLATEPLAN FOR ATTACHMENT WITH HANGER BOLTS

SlatePlan can be used on roofs with shingle covers, such as from bitumen, fiber cement or slate, for connection by hanger bolt systems.

109017-000	SlatePlan with seal: 270 x 200 x 0.5 mm	PU: 50
109017-001	SlatePlan with seal: 370 x 200 x 0.5 mm	PU: 50



SHEET METAL SEAM CLAMPS

SPECIAL FASTENERS

INFORMATION: The tightening torque must be limited so that the sheet metal seam does not become distorted and the thermal expansion of the sheets is not prevented.

SHEET METAL SEAM CLAMPS

112001-000 503 stainless steel seam clamp for standing seam roof
Please note: For titanium zinc sheets, it must be checked whether the standing seams can be loaded.



PU: 50



112001-005 Seam clamp 503 Rapid for standing seam roof



PU: 50



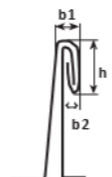
112001-010 Seam clamp 504 for standing seam roof
Especially suitable for double standing seam roofs made of titanium zinc sheet



PU: 50



Possible dimensions of the border fold (dimension drawing)
h = 11 - 13 mm, b1 = 4 - 6 mm, b2 = max. 3 mm



The 504 seam clamp was developed together with the Rheinzink company for use on double standing seam roofs made of titanium zinc sheet and approved by Rheinzink. The profiles mounted on the standing seam clamps must not exceed a length of about 3 m without thermal separation.

112002-003 Seam clamp 510 Rapid; especially suitable for standing seam roofs from Kalzip®, Bemo®



PU: 50



*All trademarks mentioned herein are the property of the respective owners.

112003-003 Seam clamp 520 Rapid Zambelli RibRoof 465 and similar



PU: 50



SHEET METAL SEAM CLAMPS

SPECIAL FASTENERS

SHEET METAL SEAM CLAMPS

112004-002 Seam clamp 522 Rapid for Zambelli RibRoof 500 and similar



PU: 50



112006-002 Seam clamp 524 Rapid for Fischer KlipTec and similar



PU: 50



112007-000 Seam clamp 525 Stainless steel for Domico Domitec and similar



PU: 50



112012-007 Seam clamp 551 for KlipLok 700 / 406 for KlipLok 700 HiStrength, KlipTite and similar



PU: 100



ATTACHMENT FOR SEAM CLAMPS

129063-000 Rapid cross connector
Completely pre-assembled for Klicknut M8
For cross rail system



PU: 200



ATTACHMENT FOR SEAM CLAMPS OF OTHER SUPPLIERS

109008-004 RapFix - Attachment flat



PU: 50



PRO SHEET METAL SEAM CLAMPS

SPECIAL FASTENERS

SHEET METAL SEAM CLAMPS PRO

112001-105 Pro 503 seam clamp for standing seam roof

PU: 50



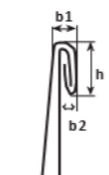
112001-110 Pro 504 seam clamp for standing seam roof
Especially suitable for double standing seam roofs made of titanium zinc sheet

PU: 50



Possible dimensions of the border fold (dimension drawing)
 $h = 11 - 13 \text{ mm}$, $b1 = 4 - 6 \text{ mm}$, $b2 = \text{max. } 3 \text{ mm}$

The 504 seam clamp was developed together with the Rheinzink company for use on double standing seam roofs made of titanium zinc sheet and approved by Rheinzink. The profiles mounted on the standing seam clamps must not exceed a length of about 3 m without thermal separation.



112002-103 Seam clamp Pro 510; especially suitable for standing seam roofs from Kalzip*, Bemo*

PU: 50



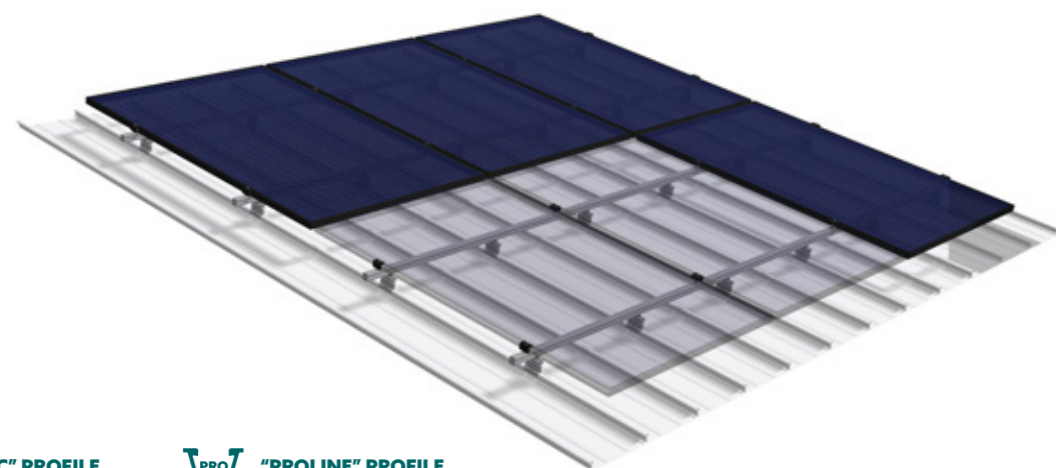
*All trademarks mentioned herein are the property of the respective owners.

112003-103 Seam clamp Pro 520 Zambelli RibRoof 465 and similar

PU: 50



INFORMATION: The tightening torque must be limited so that the sheet metal seam does not become distorted and the thermal expansion of the sheets is not prevented.



PRO SHEET METAL SEAM CLAMPS

SPECIAL FASTENERS

SHEET METAL SEAM CLAMPS PRO

112004-102 Seam clamp Pro 522 for Zambelli RibRoof 500 and similar

PU: 50



112006-102 Seam clamp Pro 524 for Fischer KlipTec and similar

PU: 50



112012-107 Seam clamp Pro 551 for KlipLok 700 / 406
For KlipLok 700 HiStrength, KlipTite and similar

PU: 100



112012-112 Seam clamp Pro 562 Universal

PU: 50



ATTACHMENT FOR SEAM CLAMPS PRO

129063-002 RapidConnect90

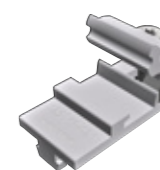
PU: 100



OR:

129063-020* Rapid cross connector 90 Pro
Completely pre-assembled for ProLine channel
For ProLine series cross rail systems

PU: 150



ATTACHMENT FOR SEAM CLAMPS PRO OF OTHER SUPPLIERS

109008-024 RapFix Pro - Attachment flat

PU: 50









TRAPEZOIDAL SHEET CONNECTION

SPECIAL FASTENERS

SINGLEFIX

The universal trapezoidal sheet fastener for steel and aluminum sheet from 0.5 mm. Pay special attention to the usage notes.

113009-003	SingleFix Pro for corrugation heights from 22 mm (1 piece) Screws must be ordered separately as needed (2 pieces for each SingleFix Pro)	PU: 100	
943000-700	Thin sheet metal screw 5.5 × 25 A2 with sealing washer With ETA, ETN, MCS012, and German building authority approval. For use in D, FR, and GB in conjunction with SingleFix Pro. For use on sandwich elements approved for this purpose.	PU: 100	
943000-360	Thin sheet metal screw 6.0 × 25 A2 with sealing washer With ETA, ETN, MCS012, and German building authority approval. For use in D, FR, and GB in conjunction with SingleFix Pro.	PU: 100	
943001-232	Thin sheet metal screw 6.0 × 22 A2 with Oz gasket For use outside Germany, France and the UK in conjunction with SingleFix Pro.	PU:100	
120011-00450	EcoLight 450 mm module support profile	PU: 50	
120020-00450	Pro 35 450 mm module support profile	PU: 50	
121010-202	FixZ-7 system profile18 lower 450 mm	PU: 25	
121001-202	FixZ-7 system profile18 upper 450 mm	PU: 25	
121009-202	FixZ-15 System profile 18 bottom 450 mm	PU: 25	
121008-202	FixZ-15 System profile18 top 450 mm	PU: 25	



2 pieces

+



4 pieces

↓
+ Profile



↓
Mounting kit



 "CLASSIC" PROFILE



 "PROLINE" PROFILE

TRAPEZOIDAL SHEET CONNECTION

SPECIAL FASTENERS

CLAMPFIT

The cost-optimised trapezoidal sheet fastener system for steel and aluminum sheet from 0.5 mm. Pay special attention to the usage notes.

130004-200**	ClampFit - Screws must be ordered separately as needed (2 pieces for each ClampFit)	PU: 100	
** Item will be discontinued. Available while stocks last.			
943000-700	Thin sheet metal screw 5.5 × 25 A2 with sealing washer With ETA, ETN, MCS012, and German building authority approval. For use in Germany, France and the UK in conjunction with ClampFit. For use on sandwich panels approved for this purpose.	PU: 100	
943000-360	Thin sheet metal screw 6.0 × 25 A2 with sealing washer With ETA, ETN, MCS012, and German building authority approval. For use in Germany, France and the UK in conjunction with ClampFit.	PU: 100	
943001-232	Thin sheet metal screw 6.0 × 22 A2 with Oz gasket For use outside Germany, France and the UK in conjunction with ClampFit.	PU: 100	
130004-300	ClampFit Pro - Screws must be ordered separately as needed (2 pieces/ClampFit Pro)	PU: 100	
943000-700	Thin sheet metal screw 5.5 × 25 A2 with sealing washer With ETA, ETN, MCS012, and German building authority approval. For use in D, FR, and GB in conjunction with ClampFit Pro. For use on sandwich elements approved for this purpose.	PU: 100	
943000-360	Thin sheet metal screw 6.0 × 25 A2 with sealing washer With ETA, ETN, MCS012, and German building authority approval. For use in D, FR, and GB in conjunction with ClampFit Pro.	PU: 100	
943001-232	Thin sheet metal screw 6.0 × 22 A2 with oZ sealing washer For use outside D, FR, and GB in conjunction with ClampFit Pro.	PU: 100	



+




+



ECORAPID

The universal fastening system for self-supporting trapezoidal sheet roofs and sandwich elements. Pay special attention to the usage notes.

113014-000	EcoRapid - clamp directly on frame, for corrugation heights from 22 mm Screws must be ordered separately as needed. EcoRapid on the edge of module field: 2 screws. EcoRapid in center of module field: 1 screw.	PU: 200	
943000-700	Thin sheet metal screw 5.5 × 25 A2 with sealing washer With ETA, ETN, MCS012, and German building authority approval. For use in Germany, France and the UK in conjunction with EcoRapid.	PU: 100	
943000-360	Thin sheet metal screw 6.0 × 25 A2 with sealing washer With ETA, ETN, MCS012, and German building authority approval. For use in Germany, France and the UK in conjunction with EcoRapid.	PU: 100	
943001-232	Thin sheet metal screw 6.0 × 22 A2 with Oz gasket For use outside Germany, France and the UK in conjunction with EcoRapid.	PU: 100	

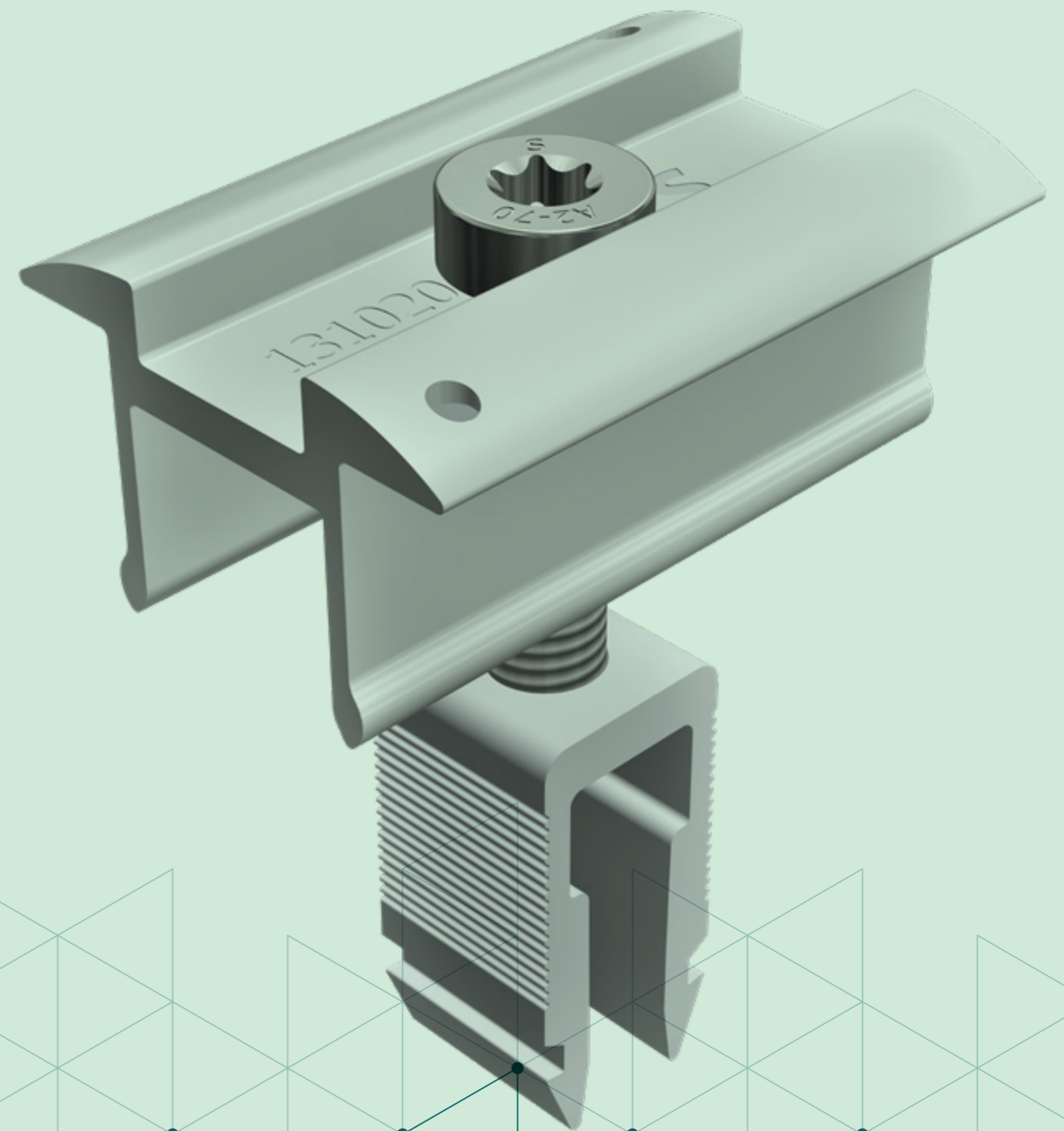


+



MODULE CLAMPS

- + RAPID16 MODULE CLAMPS
- + RAPIDPRO MODULE CLAMPS
- + CLAMPS FOR LAMINATE MODULES
- + CLAMPS ACCESSORIES



MODULE CLAMPS FOR FRAMED MODULES

MODULE CLAMPS

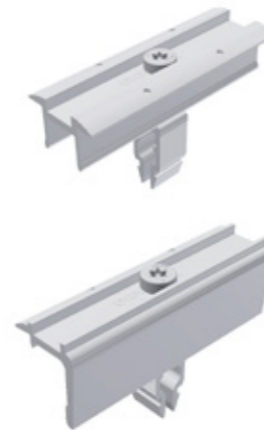
RAPID16 AL MODULE CLAMP SYSTEM, CLAMPING LENGTH: 50 MM

AL BLANK	BLACK ANODIZED	ITEM NAME	INSTALLATION TYPE
131121-002	131121-902	Center clamp Rapid16 40 - 50	V + H PU: 100
131101-002	131101-902	End clamp Rapid16 40 - 50	V + H PU: 50
131121-001	131121-901	Center clamp Rapid16 30 - 40	V + H PU: 100
131101-001	131101-901	End clamp Rapid16 30 - 40	V PU: 50
131101-003	131101-903	End clamp Rapid16 30 - 40	H PU: 50



CLAMPING LENGTH: 100 MM

131121-111		Center clamp Rapid16 30 - 40 L	V + H PU: 100
131101-101		End clamp Rapid16 30 - 40 L	V PU: 50



MODULE CLAMPS FOR FRAMED MODULES

MODULE CLAMPS

PROLINE AL MODULE CLAMP SYSTEM

- Clamping length: 50 x 7 mm
- Clamping height: 30 - 47 mm
- Only for profiles of the ProLine series.

AL BLANK	ITEM NAME	INSTALLATION TYPE
131020-001**	RapidPro center clamp	V + H PU: 100
131020-000**	RapidPro end clamp	V + H PU: 50
BLACK ANODIZED		
131020-901**	RapidPro center clamp	V + H PU: 100
131020-900**	RapidPro end clamp	V + H PU: 50

**Item will be discontinued at the end of the Q4/2023. Available while stocks last.

PROLINE AL MODULE CLAMP SYSTEM (LARGER CLAMPING AREA)

- Clamping length: 50 x 8.5 mm
- Clamping height: 30 - 47 mm
- Only for profiles of the ProLine series.

AL BLANK	ITEM NAME	INSTALLATION TYPE
131021-001*	Center clamp Pro	V + H PU: 100
131021-000*	End clamp Pro	V + H PU: 50
BLACK ANODIZED		
131021-901*	Center clamp Pro	V + H PU: 100
131021-900*	End clamp Pro	V + H PU: 50

*Expected to be available from Q1/2024



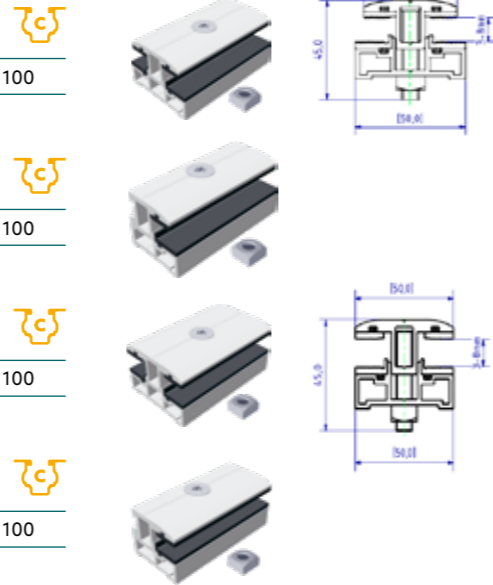
CLAMPS FOR LAMINATE MODULES

MODULE CLAMPS

PROFI LAMINATE SERIES

- For laminate thicknesses 3 – 8 mm
- For various module thicknesses
- Glass inset: Profi narrow 11 mm, Profi wide 15 mm
- Length: 80 mm, clearance between modules: approx. 20 mm
- Incl. countersunk screw and square nut

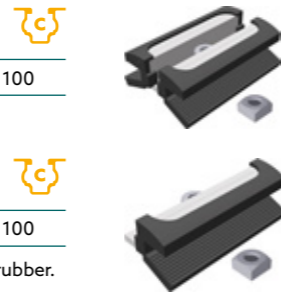
132201-308	Profi center clamp narrow 3 – 8 mm set	PU: 100
132101-308	Profi end clamp narrow 3 – 8 mm set	PU: 100
132202-308	Profi center clamp wide 3 – 8 mm set	PU: 100
132102-308	Profi end clamp wide 3 – 8 mm set	PU: 100



ECO LAMINATE SERIES

- Length of aluminum clamp: 70 mm
- Glass inset: 11 mm
- Clearance between modules: approx. 22 mm (no compression of the laminate)

133264-168	Eco6-S4 center clamp laminate 6.8 mm set	PU: 100
133164-168	Eco6-S4 end clamp laminate 6.8 mm set	PU: 100



With M8 x 20 accessories, without click-in component, with aluminum clamp surrounding EPDM rubber.

Certified clamps for First Solar series 4 modules made of highly insulated EPDM rubber material. The certification can be found in the download area at www.schletter-group.com.

NOTE: adhere to the tightening torque.
Please refer also to: *Laminate mounting – General information*



CLAMPS FOR LAMINATE MODULES

MODULE CLAMPS

PROLINE LAMINATE SERIES

- For laminate thicknesses 3 – 9 mm
- For various module thicknesses
- Glass inset: Pro narrow 11 mm, Pro wide 15 mm
- Length: 80 mm, clearance between modules: approx. 20 mm

132201-328*	Pro center clamp narrow 3 – 9 mm set	PU: 100
132101-328*	Pro end clamp narrow 3 – 9 mm	PU: 100
132202-328*	Pro center clamp wide 3 – 9 mm	PU: 100
132102-328*	Pro end clamp wide 3 – 9 mm	PU: 100

ACCESSORIES FOR MODULE CLAMPS OF PROLINE LAMINATE SERIES		
943000-063*	Cylinder head screw M8x40, DIN EN ISO 14580, TX40, A2 With locking teeth and Gleitmo coating	PU: 100
942000-902	Pro hammerhead nut	PU: 100

*Expected to be available from Q4/2023

ECO PROLINE LAMINATE SERIES

- Length of aluminum clamp: 70 mm
- Glass inset: 11 mm
- Clearance between modules: approx. 22 mm (no compression of the laminate)

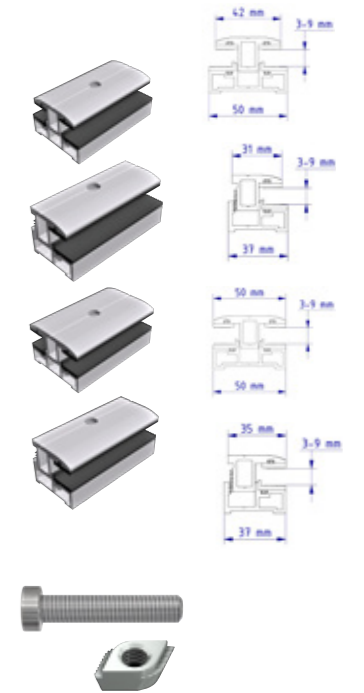
133264-268*	Eco6-S4 center clamp 6.8 mm Pro	PU: 100
133164-268*	Eco6-S4 end clamp 6.8 mm Pro	PU: 100

Certified clamps for First Solar series 4 modules made of highly insulated EPDM rubber material. The certification can be found in the download area at www.schletter-group.com.

ACCESSORIES FOR MODULE CLAMPS OF ECO PROLINE LAMINATE SERIES		
943001-242*	Cylinder head screw M8x16, DIN EN ISO 14580, TX40, A2 with locking teeth and Gleitmo coating	PU: 100
942000-902	Pro hammerhead nut	PU: 100

*Expected to be available from Q4/2023


NOTE: adhere to the tightening torque.
Please refer also to: *Laminate mounting – General information*



LAMINATE CLAMP ACCESSORIES

MODULE CLAMPS

NOTES

AL BLANK		
139004-000	Bearing plate for Eco module clamp For raising the bearing surface	PU: 200



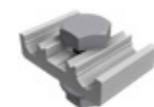
AL BLANK		
139008-006	Safety hooks, laminate 3 - 8 mm	PU: 100

LIGHTNING PROTECTION AND EQUIPOTENTIAL BONDING

135004-000	Ground plate For module grounding, not for laminate clamps.	PU: 100
-------------------	----------------------------------------------------------------	---------



135003-000	Lightning protection clamp for 8 mm AL completely pre-assembled (for DM 8 mm wiring)	PU: 20
-------------------	-----------------------------------------------------------------------------------------	--------



135003-002	Grounding and lightning protection clamp A2 M8 Clamping range Rd 8 - 10 mm Connection single/multi-wire 4 - 50 mm ²	PU: 20
-------------------	--------------------------------------------------------------------------------------------------------------------------------------	--------



135003-022	Grounding and lightning protection clamp A2 Pro M8 Clamping range Rd 8 - 10 mm Connection single/multi-wire 4 - 50 mm ²	PU: 20
-------------------	------------------------------------------------------------------------------------------------------------------------------------------	--------



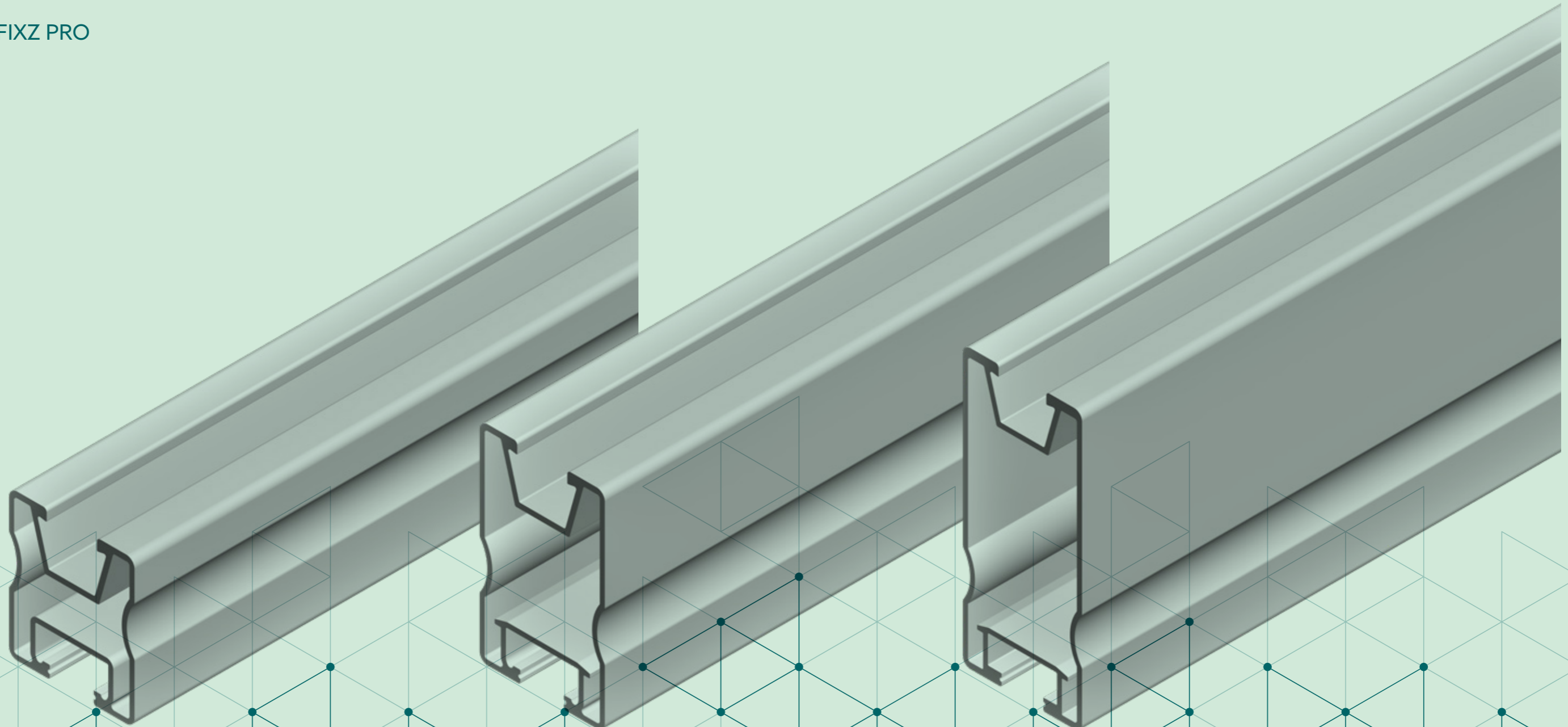
119015-002	Punched mounting tape 6 - Reel with 50 m	PU: 1
-------------------	------------------------------------------	-------

119015-003	Punched mounting tape 16 - Reel with 50 m Lightning resistant	PU: 1
-------------------	------------------------------------------------------------------	-------



PROFILES

- + MODULE SUPPORT AND MOUNTING PROFILES
- + PROFILE ACCESSORIES
- + FIXZ PRO



MODULE SUPPORT AND MOUNTING PROFILES

PROFILES

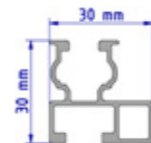
The series for the proven click system with the right accessories. Mounting with square nut, click system and Rapid²⁺

- Structural analysis tables for cross beams
- Load determination software on the Internet: www.schletter-group.com (Services/Configurator)

MODULE SUPPORT PROFILE ECOLIGHT

MECHANICAL CONNECTION

Upper: KlickNut M8
Lower: Screw channel M10



AL BLANK

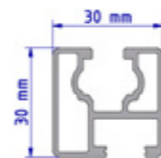
120011-04400**	4400 mm
120011-05500**	5500 mm

** Item will be discontinued. Available while stocks last.

MODULE SUPPORT PROFILE ECO05

MECHANICAL CONNECTION

Upper: KlickNut M8
Lower: Screw channel M10



AL BLANK

120001-03550	3550 mm
120001-04400**	4400 mm
120001-04750	4750 mm
120001-05900	5900 mm

** Item will be discontinued. Available while stocks last.

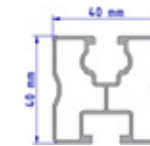
MODULE SUPPORT AND MOUNTING PROFILES

PROFILES

MODULE SUPPORT PROFILE SOLO

MECHANICAL CONNECTION

Upper: KlickNut M8
Lower: Screw channel M10



AL BLANK

120005-02450	2450 mm
120005-03300**	3300 mm
120005-03550	3550 mm
120005-04400	4400 mm
120005-04750	4750 mm
120005-05500**	5500 mm
120005-05900	5900 mm
120005-066**	6000 mm
120005-06200	6200 mm

BLACK ANODIZED

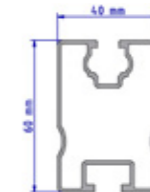
120005-94400**	4400 mm
120005-95500**	5500 mm
120005-95900	5900 mm

Available while stocks last.

MODULE SUPPORT PROFILE SOLOPLUS

MECHANICAL CONNECTION

Upper: KlickNut M8
Lower: Screw channel M10



AL BLANK

120006-04400**	4400 mm
120006-05500**	5500 mm
120006-05900	5900 mm

** Item will be discontinued. Available while stocks last.

MODULE SUPPORT PROFILE SOLO XL

MECHANICAL CONNECTION

Upper: KlickNut M8
Lower: Screw channel M10



AL BLANK

120015-05500**	5500 mm
120015-05900	5900 mm

The lower M10 screw channel is only suitable for connecting with square head screw 943410-025. Not for Rapid cross connector, KlickTop or similar connections.

** Item will be discontinued. Available while stocks last.

PRO MODULE SUPPORT AND MOUNTING PROFILES

PROFILES

The profile of the new ProLine series with the fitting accessories. Can be combined with roof hooks, connectors and clamps of the ProLine series.

- Structural analysis tables for cross beams
- Load determination software on the Internet: www.schletter-group.com (Services/Configurator)

PRO 35 MODULE SUPPORT PROFILE

MECHANICAL CONNECTION

Upper: KlickNut Pro
Lower: Screw channel M10



AL BLANK

120020-00450	450 mm	PU: 50
120020-03550	3550 mm	
120020-04400**	4400 mm	
120020-04750	4750 mm	
120020-05500**	5500 mm	
120020-05900	5900 mm	

** Item will be discontinued. Available while stocks last.

MODULE SUPPORT PROFILE PRO50

MECHANICAL CONNECTION

Upper: KlickNut Pro
Lower: Screw channel M10



AL BLANK

120021-00260*	260 mm	PU: 50
120021-02450	2450 mm	
120021-03300**	3300 mm	
120021-03550	3550 mm	
120021-04400**	4400 mm	
120021-04750	4750 mm	120021-94750* 4750 mm
120021-05500**	5500 mm	
120021-05900	5900 mm	
120021-006**	6000 mm	

*Expected to be available from Q3/2023

** Item will be discontinued. Available while stocks last.

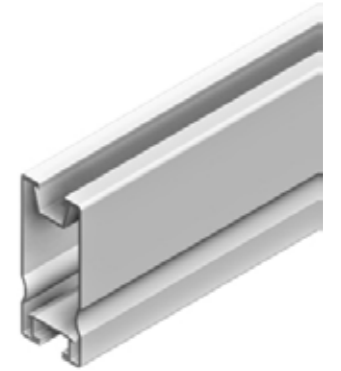
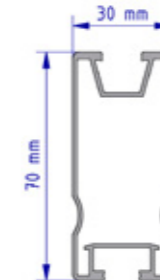
PRO MODULE SUPPORT AND MOUNTING PROFILES

PROFILES

MODULE SUPPORT PROFILE PRO70

MECHANICAL CONNECTION

Upper: KlickNut Pro
Lower: Screw channel M10



AL BLANK

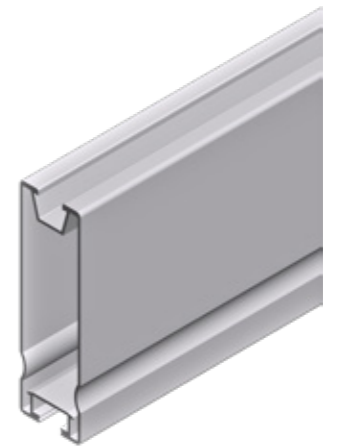
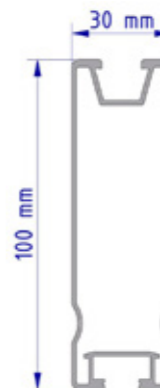
120022-04400**	4400 mm
120022-05900	5900 mm

** Item will be discontinued. Available while stocks last.

MODULE SUPPORT PROFILE PRO100

MECHANICAL CONNECTION

Upper: KlickNut Pro
Lower: Screw channel M10




AL BLANK

120023-05900*	5900 mm
----------------------	---------

*Expected to be available from Q3/2023



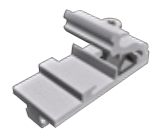

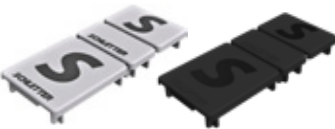

PROFILE ACCESSORIES

PROFILES

129200-000	Pro internal connector	PU: 40		
129001-003	E Eco connector, pre-assembled	PU: 100		
129002-002	E Solo, SoloPlus, FixZ-7, FixZ-15 connector, pre-assembled	PU: 100		
129001-014	Eco 05 250 mm internal connector (1 piece per connection)	PU: 50		
943001-232	Thin sheet metal screw 6.0 x 22 A2 with Oz gasket (2 pieces per connection)	PU: 100		
129060-000	Solo slide-in connector (2 pieces per connection)	PU: 50		
943001-232	Thin sheet metal screw 6.0 x 22 A2 with Oz gasket (4 pieces per connection)	PU: 100		
129001-007	SoloPlus internal connector	PU: 25		
129001-008	EcoLight internal connector	PU: 25		
129001-019	SoloXL internal connector	PU: 25		
943001-232	Thin sheet metal screw 6.0 x 22 A2 with Oz gasket (4 pieces per connection)	PU: 100		

PROFILE ACCESSORIES

PROFILES

AL BLANK	BLACK ANODIZED			
129063-000	129063-900	Rapid cross connector Completely pre-assembled for Klicknut M8 For cross rail system	PU: 200	
129063-010	 Upper connection  Lower connection	Cross connector Rapid Pro Completely pre-assembled for Klicknut M8 For cross rail system	PU: 200	
129063-020		Rapid cross connector 90 Pro Completely pre-assembled for ProLine channel For ProLine series cross rail systems	PU: 150	
GREY	BLACK			
129011-000	129011-900	Solo plastic end cap	PU: 100	
129200-010	129200-910*	Pro plastic end cap	PU: 100	
*Expected to be available from Q3/2023				
119033-002		Uno M8 universal adapter	PU: 50	
As clamp dowel for special applications in connection with the Eco05 module support profile. Support profile must be fastened with M8 screws to the clamp dowel.				
FLOOR PROFILE CONNECTOR TO BALLAST AND COMPOSITE RAIL				
129063-002		RapidConnect90 For cross rail system	PU: 100	

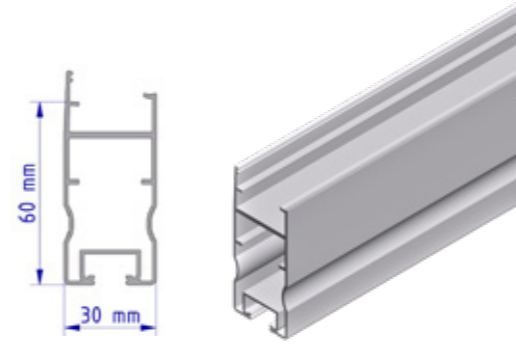
FIXZ PRO

PROFILES

SUPPORT PROFILE FIXZ PRO

MECHANICAL CONNECTION

Upper: FixGrid Pro
Click-in connection
Lower: Screw channel M10



AL BLANK

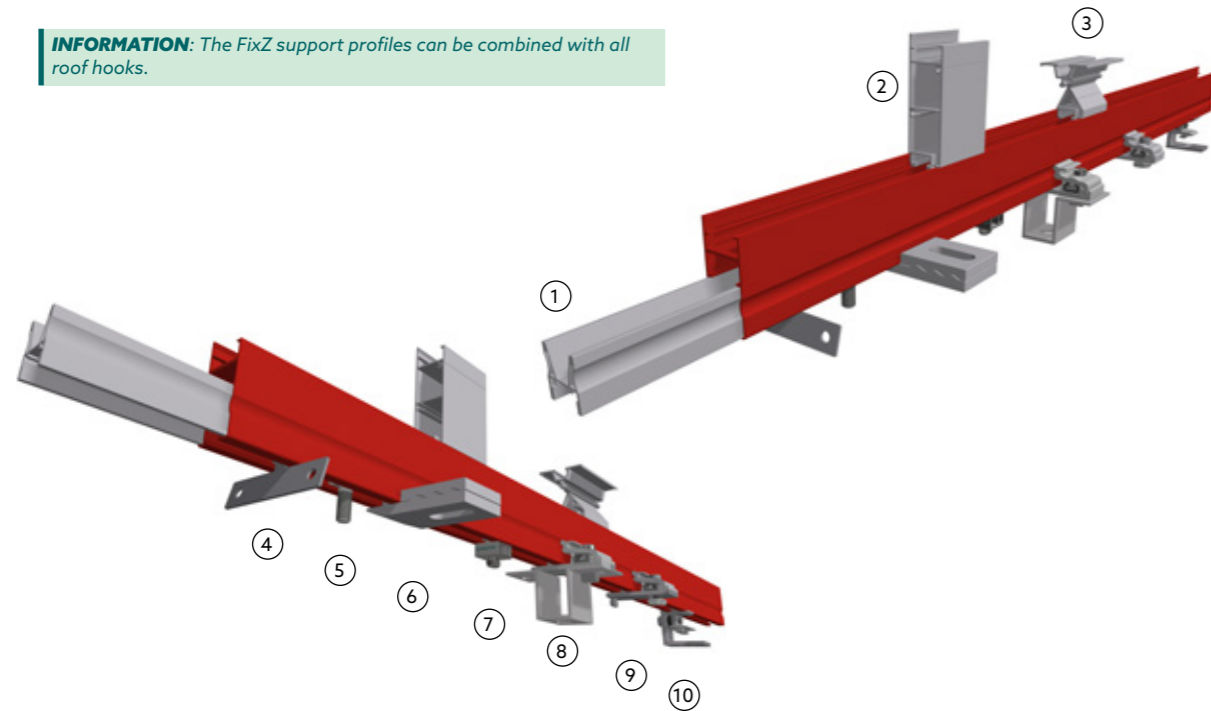


120034-00450*	450 mm	PU: 50
120034-03550*	3550 mm	
120034-05900*	5900 mm	

*Expected to be available from Q3/2023

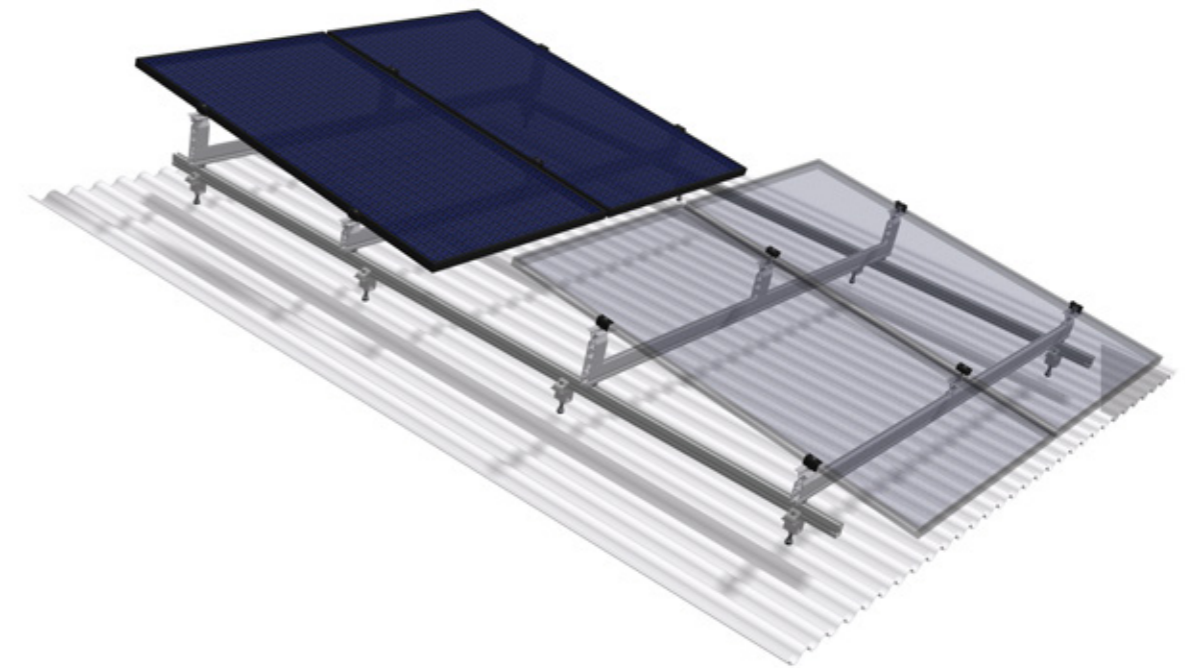
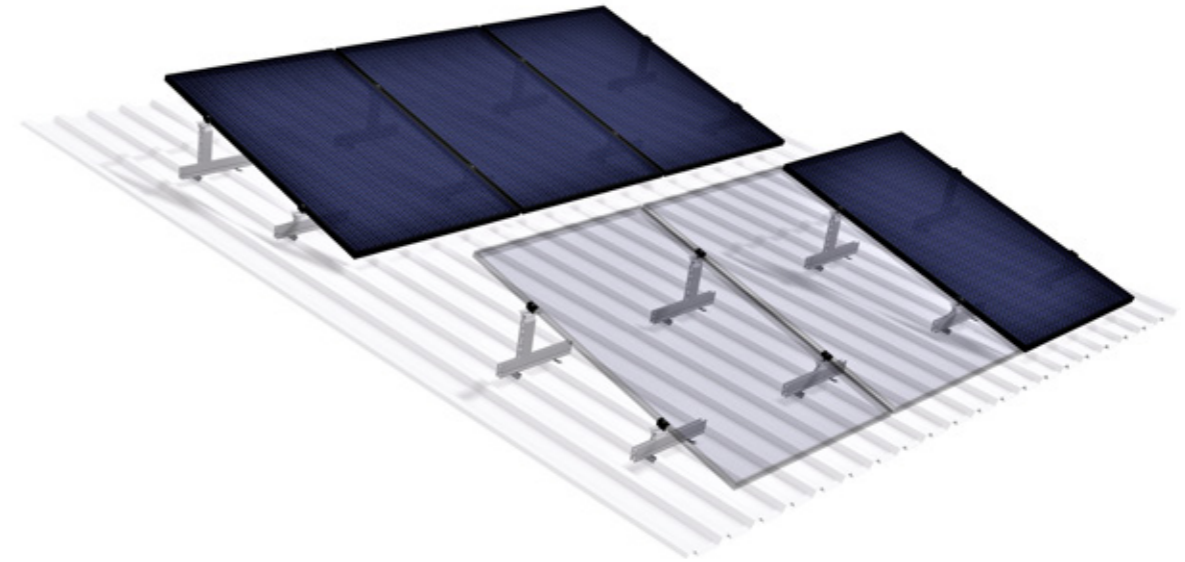
THE FIXZ SUPPORT PROFILES CAN BE COMBINED WITH THE FOLLOWING ITEMS	POSITION	
129200-000	Pro internal connector	1
165005-003	Pro heightening element	2
165005-004	Pro module support	3
113009-003	SingleFix Pro	4
943410-025	Screw M10x25 square A2 GMB	5
119001-020	KlickTop Pro extension part for hanger bolt	6
129063-002	RapidConnect90	7
129063-010	Cross connector Rapid Pro	8
119033-001	Universal adapter Uno M10 / M12	9
129063-020	Rapid cross connector 90 Pro	9
119026-122	RapidPro L	10

INFORMATION: The FixZ support profiles can be combined with all roof hooks.



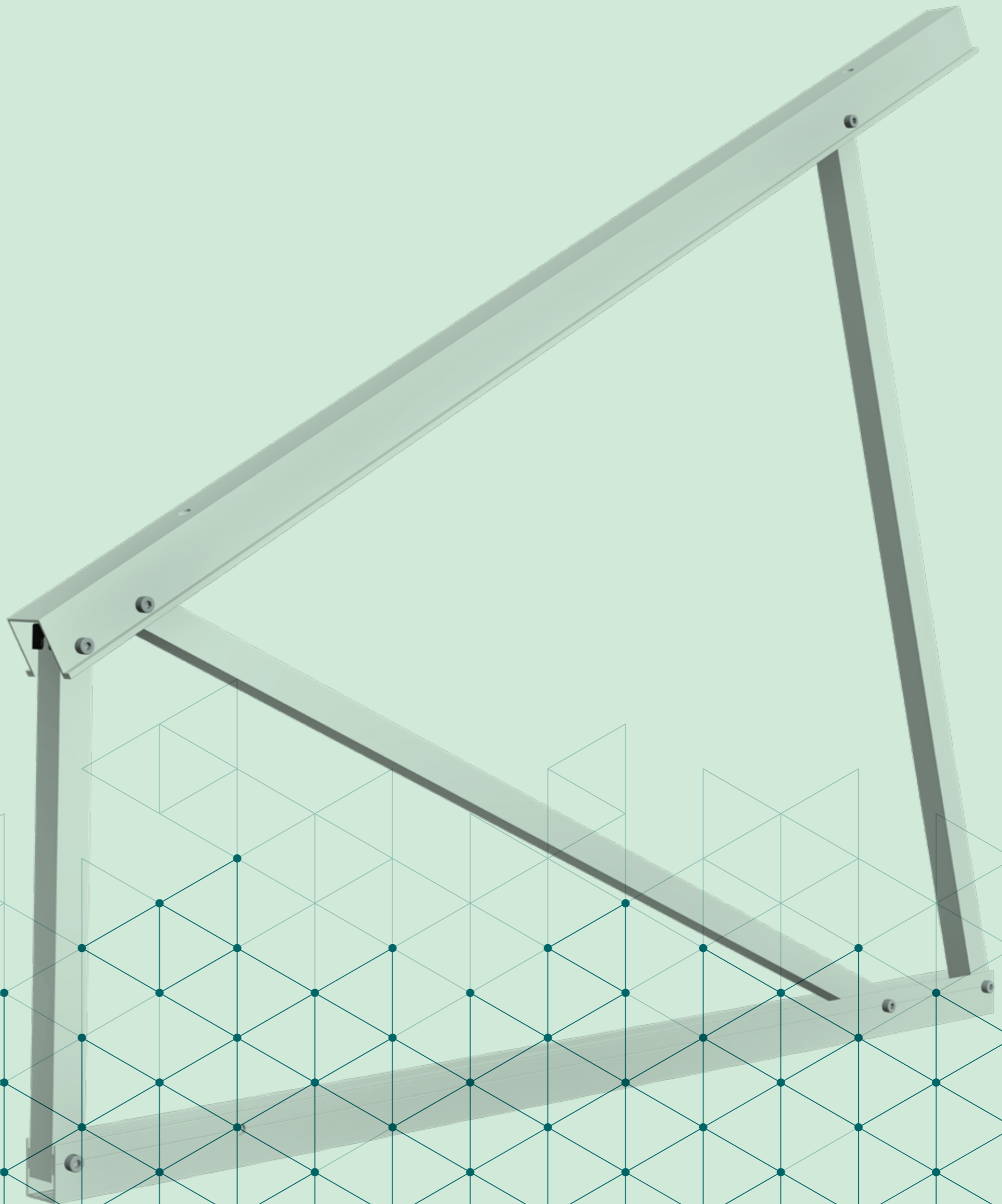
FIXZ PRO

PROFILES



SUPPORTS

- + FLAT ROOF SUPPORT-BEAM KIT
- + FLAT ROOF SUPPORT-BEAM KIT /
FACADE SUPPORT
- + GREEN ROOF SUPPORTS
- + BEAM KIT ACCESSORIES
- + SUPPORT ACCESSORIES



FLAT ROOF SYSTEM SUPPORTS

SUPPORTS BEAM KIT

For all types of flat roof fasteners, depending on the substrate and fastener, diagonal reinforcement of the support units may be useful. If necessary, these reinforcements can be built on site, e.g. using our punched mounting tape 16 with 50 m in length (119015-003).

BEAM KIT

- Angle of 15° - 40° in 5° increments possible
- For horizontal and vertical module mounting



150002-130 Light flat roof support 1.3 m beam kit

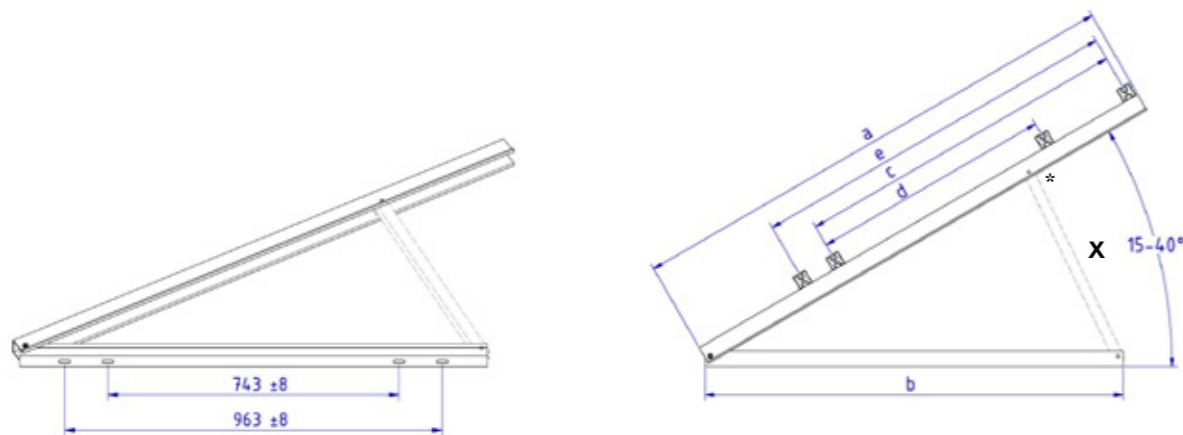
	a	b	c	d	e
mm	1195	1193	810 - 850	600	997 - 1067



150002-150 Light flat roof support 1.5 m beam kit

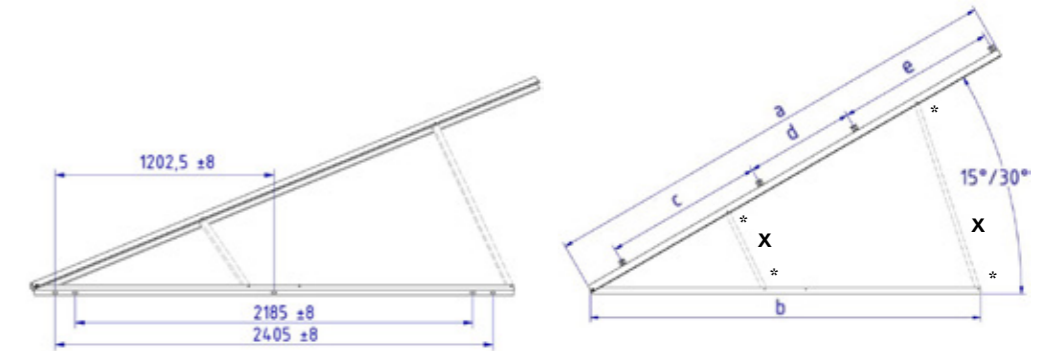
	a	b	c	d	e
mm	1445	1193	920 - 960	690	997 - 1067

PLEASE NOTE: Refer to the dimension table for mounting areas, observe the specifications of the module manufacturer, for strut selection (x) and accessories (*) see pages 55/56



FLAT ROOF SYSTEM AND FACADE SUPPORTS

SUPPORTS BEAM KIT



BEAM KIT

- Angle available in 15° or 30°
- For horizontal and vertical module mounting



155002-320 Light flat roof support 3.2 m beam kit

	a	b	c	d	e
mm	3195	2635	1080	733	1072

PLEASE NOTE: Refer to the dimension table for mounting areas, observe the specifications of the module manufacturer, for strut selection (x) and accessories (*) see pages 55/56

FACADE SUPPORT

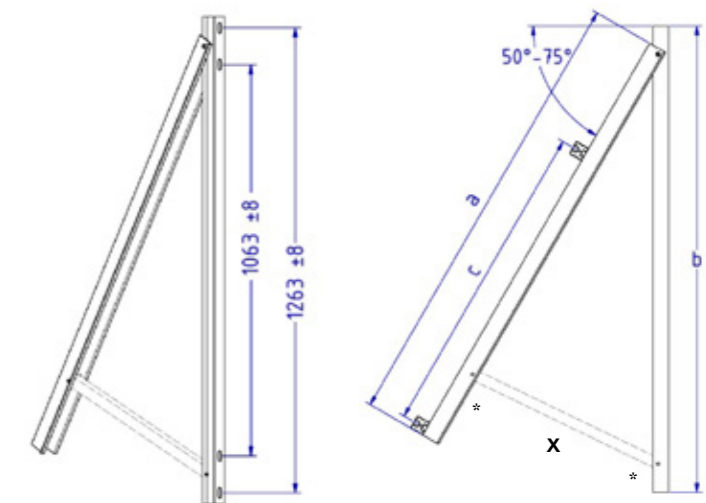
- Angle of 50° - 75° in 5° increments possible
- For horizontal and vertical module mounting



156002-160 Light facade support 1.3 m beam kit

	a	b	c
mm	1285	1323	900

PLEASE NOTE: Refer to the dimension table for mounting areas, observe the specifications of the module manufacturer, for strut selection (x) and accessories (*) see pages 55/56



GREEN ROOF SUPPORTS

SUPPORTS

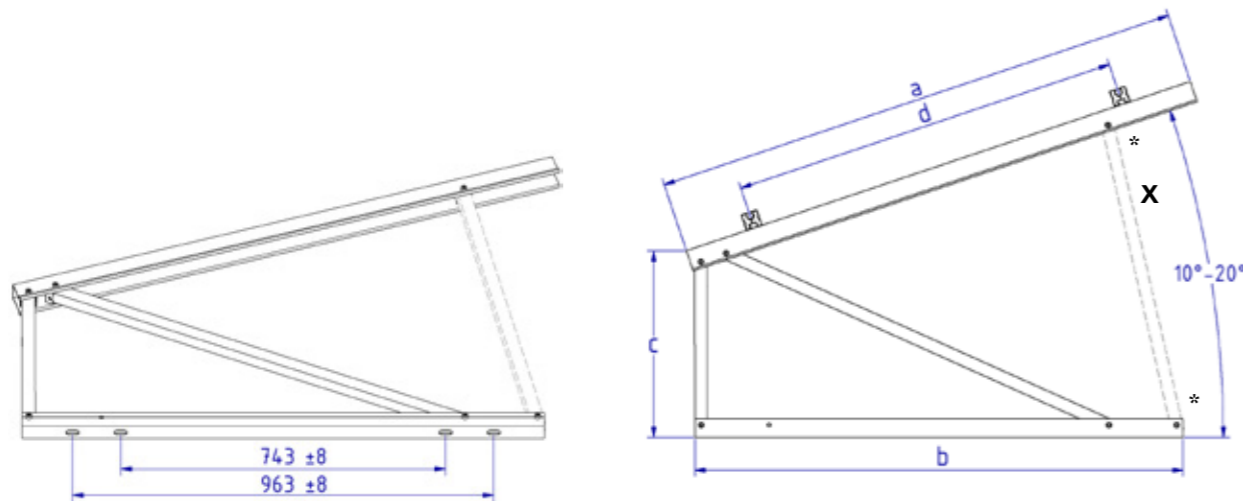
- Angle of 10° - 20° in 5° increments possible
- For horizontal and vertical module mounting



152001-001 GREEN ROOF SUPPORT FOR MODULES UP TO 1.6 M

	a	b	c	d
mm	1300	1193	455	950

PLEASE NOTE: Refer to the dimension table for mounting areas, observe the specifications of the module manufacturer, for strut selection (x) and accessories (*) see pages 55/56



BEAM KIT ACCESSORIES

SUPPORTS

To complete the beam kits the following components such as struts and accessories are necessary.

STRUTS FOR BEAM KIT

159005-001	Strut with end cap 338 mm
159005-002	Strut with end cap 428 mm
159005-003	Strut with end cap 520 mm
159005-004	Strut with end cap 613 mm
159005-005	Strut with end cap 700 mm
159005-006	Strut with end cap 781 mm
159005-007	Strut with end cap 1359 mm



BEAM KIT ACCESSORIES

943308-055**	Bolt M8 x 55 hex socket DIN 912 A2 with Gleitmo coating (2 pieces/strut)	PU: 100
943000-024	Cylinder head screw hex socket M8x55, DIN EN ISO 4762, A2 with Gleitmo coating (2 pieces/strut)	PU: 100
943911-008**	Nut M8 hexagonal self-locking DIN 985 A4 (2 piece/strut)	PU: 500
943001-240*	Hexagonal self-locking M8, DIN EN ISO 7040, A4 (2 pieces/strut)	PU: 500
943922-008**	Large washer M8, DIN 9021, A2 (1 piece/screw-on point bottom support)	PU: 100
943000-043	Large washer M10, DIN EN ISO 7093-1, A2 (1 piece/screw-on point bottom support)	PU: 100
943922-010**	Large washer M10 DIN 9021 A2 (1 piece/screw-on point bottom support)	PU: 100
943000-056	Large washer M10 DIN EN ISO 7093-1, A2 (1 piece/screw-on point bottom support)	PU: 100

*Available from Q3/2023

** Item will be discontinued. Available while stocks last.



STRUT TABLE

	FLAT ROOF SUPPORT					
	15°	20°	25°	30°	35°	40°
150002-130	159005-001	159005-002	159005-003	159005-004	159005-005	159005-006
150002-150	159005-001	159005-002	159005-003	159005-004	159005-005	159005-006
155002-320	159005-005 159005-001			159005-007 159005-004		

	FACADE SUPPORT					
	50°	55°	60°	65°	70°	75°
156002-160	159005-006	159005-005	159005-004	159005-003	159005-002	159005-001

	GREEN ROOF SUPPORT		
	10°	15°	20°
152001-001	159005-004	159005-005	159005-006

SUPPORT ACCESSORIES

SUPPORTS

WEIGHING

159000-027	Concrete block weighing set18	PU: 100
160002-001	SolRack AL (1 plate) Material thickness: 1 mm Area: 0.55 m ²	



SOLRACK ACCESSORIES

(2 units per plate required)

943610-025**	Screw M10 x 25 hexagonal DIN 933, A2 with Gleitmo coating	PU: 100
943000-029*	M10 x 25 screw hexagonal DIN EN ISO 4017, A2 with Gleitmo coating	PU: 100
943922-010**	Large washer M10 DIN 9021, A2	PU: 100
943000-056*	Large washer M10, DIN EN ISO 7093-1, A2	PU: 100
943912-010**	Flange nut M10 with locking teeth DIN 6923, A4	PU: 100
943000-022*	Flange nut M10 with locking teeth DIN 6923, A4	PU: 100

*Expected to be available from Q3/2023

** Item will be discontinued. Available while stocks last.

WINDSAFE (DEPENDING ON PROJECT)

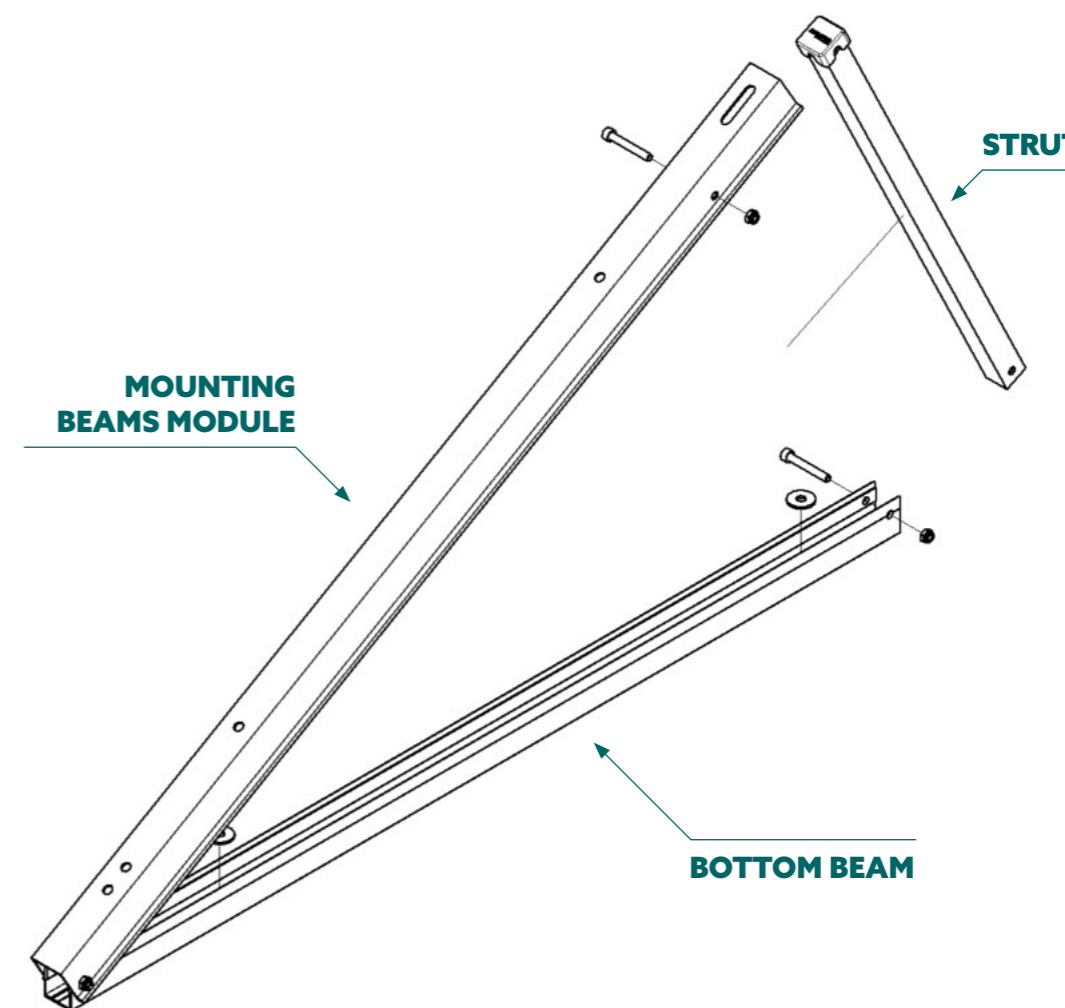
Rear wall panelling for elevated PV systems to reduce wind loads

164160-180	Windsafe Vario AL 160 x 1830 mm
164250-180	Windsafe Vario AL 250 x 1830 mm



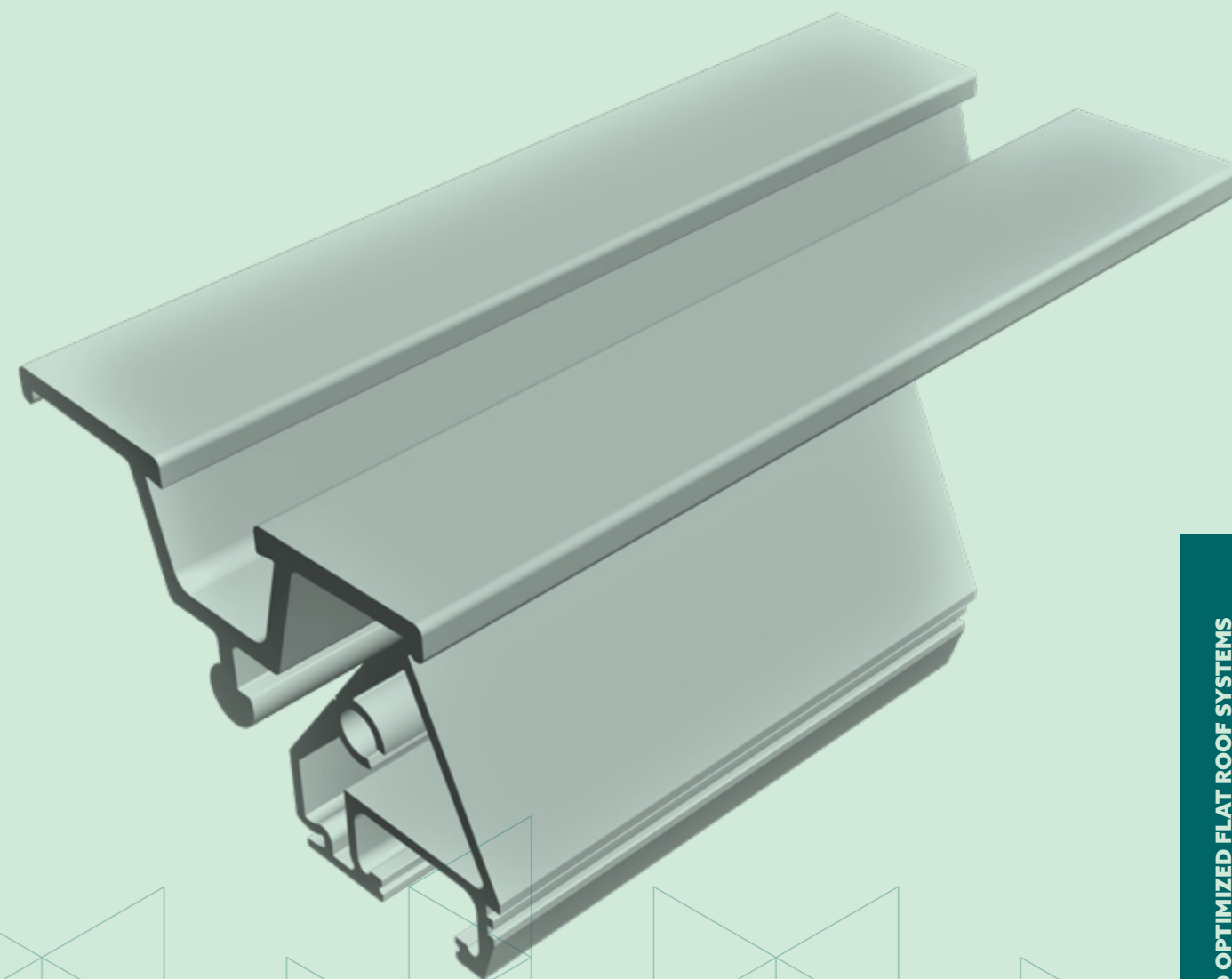
SUPPORTS SYSTEM

ASSEMBLY EXAMPLE



LOAD OPTIMIZED FLAT ROOF SYSTEMS

- + FIXGRID
- + FLATGRID
- + FIXGRID PRO
- + FLATGRID PRO



FIXGRID

LOAD OPTIMIZED FLAT ROOF SYSTEMS

FIXGRID18

163000-201**	FixGrid18 100 kit 6° set of 2
163000-202**	FixGrid18 100 kit 6° set of 3
163000-203**	FixGrid18 100 kit 13° set of 2
163000-204**	FixGrid18 100 kit 13° set of 3

** Item will be discontinued. Available while stocks last.

FIXZ-7

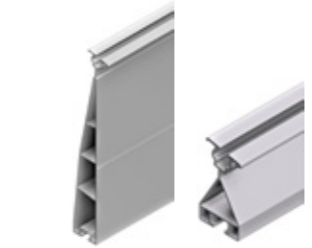
121001-04400	FixZ-7 system profile18 upper 4400 mm
121001-05500	FixZ-7 system profile18 upper 5500 mm
121010-04400	FixZ-7 system profile18 lower 4400 mm
121010-05500	FixZ-7 system profile18 lower 5500 mm

FIXZ-15

121008-04400	FixZ-15 system profile18 upper 4400 mm
121008-05500	FixZ-15 system profile18 upper 5500 mm
121009-04400	FixZ-15 system profile18 lower 4400 mm
121009-05500	FixZ-15 system profile18 lower 5500 mm

BASE PROFILE FIXGRID, FLATGRID

128039-006	Base profile for FlatGrid 6000 mm
128039-203	Base profile for FlatGrid 2150 mm
128039-214	Base profile for FlatGrid 4200 mm
128039-215	Base profile for FlatGrid 6300 mm



FIXGRID

LOAD OPTIMIZED FLAT ROOF SYSTEMS

FIXZ PROFILE PIECES INCL. FIXGRID SCREW-IN CONNECTOR

163900-011	FixZ-7 system profile upper 96 mm with connector	PU: 25
163900-012	FixZ-7 system profile lower 96 mm with connector	PU: 25
163900-021	FixZ-10 system profile upper 96 mm with connector	PU: 25
163900-022	FixZ-10 system profile lower 96 mm with connector	PU: 25
163900-023	FixZ-10 system profile center 96 mm with connector	PU: 25
163900-001	FixZ-15 system profile upper 96 mm with connector	PU: 25
163900-002	FixZ-15 system profile lower 96 mm with connector	PU: 25
163900-003	FixZ-15 system profile center 96 mm with connector	PU: 25

For high snow loads up to 5.4 kN / m²

FIXZ WINDSAFE SHEET METAL

169018-170	FixZ-7 Windsafe up to 1700 mm
169118-170*	FixZ-7-S Windsafe up to 1700 mm
169018-210	FixZ-7 Windsafe up to 2067 mm
169118-210*	FixZ-7-S Windsafe up to 2067 mm
169118-240*	FixZ-7-S Windsafe up to 2400 mm
169017-170	FixZ-10 Windsafe up to 1700 mm
169117-170*	FixZ-10-S Windsafe up to 1700 mm
169017-210	FixZ-10 Windsafe up to 2067 mm
169117-210*	FixZ-10-S Windsafe up to 2067 mm
169017-240	FixZ-10 Windsafe up to 2400 mm
169117-240*	FixZ-10-S Windsafe up to 2400 mm
169019-170	FixZ-15 Windsafe up to 1700 mm
169119-170*	FixZ-15-S Windsafe up to 1700 mm
169019-210	FixZ-15 Windsafe up to 2067 mm
169119-210*	FixZ-15-S Windsafe up to 2067 mm
169119-240*	FixZ-15-S Windsafe up to 2400 mm

*Made of strip galvanized sheet steel

**Item will be discontinued.. Available while stocks last.

BALLAST SHAFTS

169020-170	FixGrid ballast shaft up to 1700 mm	
169020-210	FixGrid ballast shaft up to 2067 mm	
169020-240	FixGrid ballast shaft up to 2400 mm	
169020-000	FixGrid end plate ballast shaft (only for 169020-240)	PU: 20

INFORMATION: The appropriate module clamps can be found in the module clamps section Rapid16.



FIXGRID

LOAD OPTIMIZED FLAT ROOF SYSTEMS

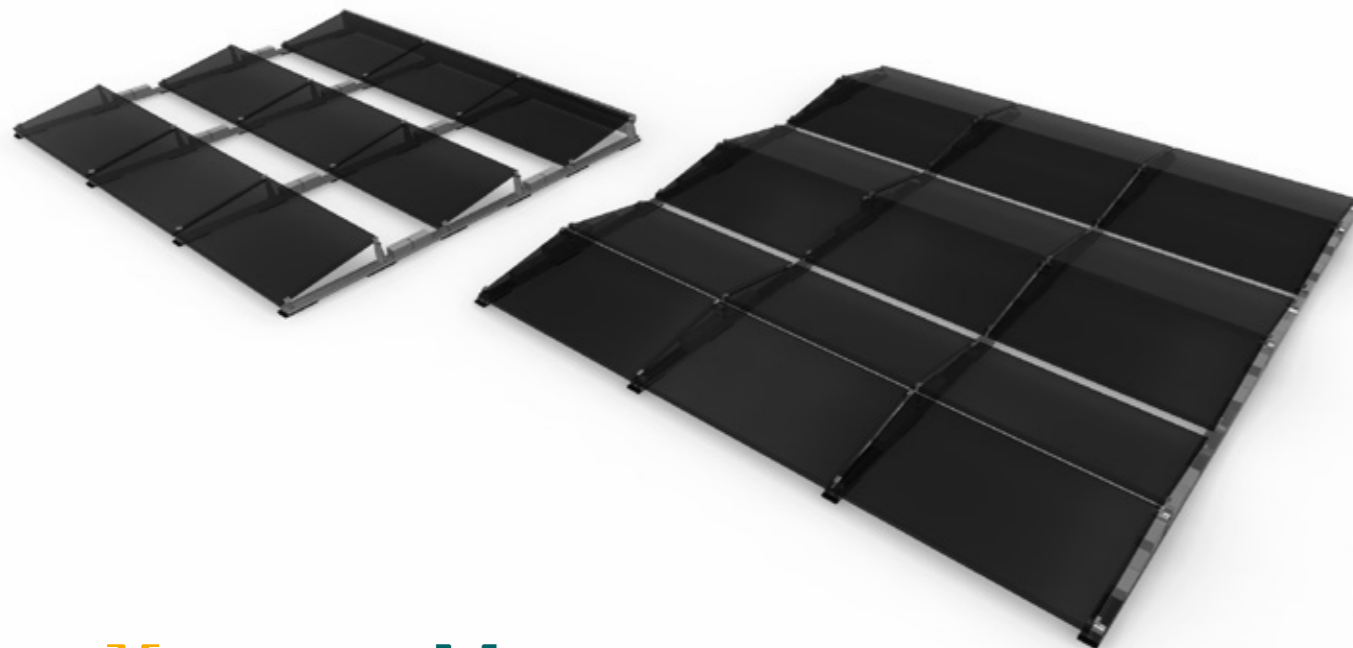
CONNECTORS

129002-002	E Solo, SoloPlus, FixZ-7, FixZ-15 connector, pre-assembled	PU: 100
129019-011	Additional connector for FixZ-15 upper (1 piece per connection)	PU: 100
943001-232	Thin sheet metal screw 6.0 x 22 A2 with Oz gasket (2 pieces per connection)	PU: 100

OTHER ACCESSORIES

129063-000	Rapid cross connector Completely pre-assembled for Klicknut M8 For cross rail system	PU: 200
129062-001	Tension connector set M8	PU: 100
129061-001	Ridge connector set	PU: 50
119015-002	Punched mounting tape 6 - Reel with 50 m	PU: 1
119015-003	Punched mounting tape 16 - Reel with 50 m Lightning resistant	PU: 1

INFORMATION: The appropriate module clamps can be found in the module clamps section Rapid16, and the module support profiles in the profiles section.



FLATGRID

LOAD OPTIMIZED FLAT ROOF SYSTEMS

BASE PROFILE FLATGRID FOR SURFACE PROTECTION STRIPS

128039-006	Base profile for FlatGrid 6000 mm	
128039-203	Base profile for FlatGrid 2150 mm	
128039-214	Base profile for FlatGrid 4200 mm	
128039-215	Base profile for FlatGrid 6300 mm	

129078-001	Internal connector for FlatGrid (2 pieces per connection)	PU: 50
943001-232	Thin sheet metal screw 6.0 x 22 A2 with Oz gasket (4 pieces per connection)	PU: 100

169004-003	Surface protection mat 300 x 110 x 20 mm AK SK	PU: 25
169004-008	Surface protection mat 300 x 110 x 20 mm FH AK SK (On request, please note longer delivery times.)	PU: 25

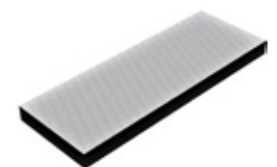
RAPID PRO L BRACKET CONNECTOR AND ACCESSORIES

119026-122	Rapid Pro L bracket connector	PU: 100
-------------------	-------------------------------	---------

943000-025	Allen screw M8 x 20, DIN EN ISO 4762, A2 with locking teeth and Gleitmo coating	PU: 100
943000-043	Large washer M8, DIN EN ISO 7093-1, A2	PU: 100
943914-008	Square nut M8	PU: 100
129010-008	KlickIn click-in component for M8 nut	PU: 100

OTHER ACCESSORIES

129062-001	Tension connector set M8	PU: 100
169017-000	Additional trough	PU: 50
169004-013	Surface protection mat 230 x 110 x 8 mm	PU: 100



FIXGRID PRO

LOAD OPTIMIZED FLAT ROOF SYSTEMS

FIXGRID PRO

LOAD OPTIMIZED FLAT ROOF SYSTEMS

MODULE SUPPORT

165005-001	Pro screw-in module support For installation on the Pro floor profile	PU: 25
-------------------	--------------------------------------------------------------------------	--------

The appropriate module clamps can be found in the ProLine module clamps section.

165005-004	Pro module support For installation on the Pro screw-in and heightening element	PU: 25
-------------------	------------------------------------------------------------------------------------	--------

HEIGHTENING ELEMENT

165005-002	Pro screw-in heightening element For installation on the Pro floor profile	PU: 25
-------------------	-------------------------------------------------------------------------------	--------

PLEASE NOTE: The quantity of the heightening elements varies depending on the elevation angle: (1 piece = 5°, 2 pieces = 10°, 3 pieces = 15°)

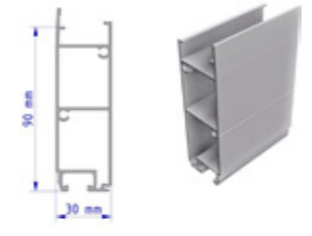
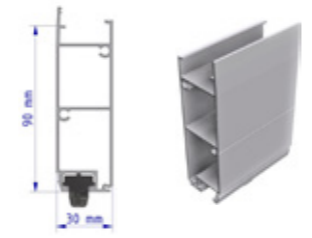
165005-003	Pro heightening element For installation on the Pro screw-in and heightening element	PU: 25
-------------------	-----------------------------------------------------------------------------------------	--------

FLOOR PROFILE

165001-01500	Pro floor profile 1500 mm
165001-02500	Pro floor profile 2500 mm
165001-03500	Pro floor profile 3500 mm
165001-04500	Pro floor profile 4500 mm
165001-06000	Pro floor profile 6000 mm

FLOOR PROFILE CONNECTORS

129200-001	Pro floor profile connector	PU: 70
-------------------	-----------------------------	--------



WINDSAFE SHEET METAL

169205-135	Pro Windsafe 5 up to 1350 mm module
169205-180	Pro Windsafe 5 up to 1800 mm module
169205-215	Pro Windsafe 5 up to 2150 mm module
169205-250	Pro Windsafe 5 up to 2500 mm module
169210-135	Pro Windsafe 10 up to 1350 mm module
169210-180	Pro Windsafe 10 up to 1800 mm module
169210-215	Pro Windsafe 10 up to 2150 mm module
169210-250	Pro Windsafe 10 up to 2500 mm module
169215-135	Pro Windsafe 15 up to 1350 mm module
169215-180	Pro Windsafe 15 up to 1800 mm module
169215-215	Pro Windsafe 15 up to 2150 mm module
169215-250	Pro Windsafe 15 up to 2500 mm module

BALLAST SHAFT

169020-100	Pro ballast trough
-------------------	--------------------

PLEASE NOTE: Accessories, surface protection mat page 63

169020-001	Pro ballast tray cover plate	PU: 20
-------------------	------------------------------	--------

169200-000	Pro ballast tray clamping wedge	PU: 10
-------------------	---------------------------------	--------

BALLAST AND COMPOSITE RAILS

165002-01600	Pro ballast + composite rail 1600 mm
165002-02000	Pro ballast + composite rail 2000 mm
165002-02350	Pro ballast + composite rail 2350 mm
165002-02700	Pro ballast + composite rail 2700 mm
165002-06000	Pro ballast + composite rail 6000 mm

BALLAST RAIL CONNECTORS

129200-002	Pro ballast rail connectors	PU: 40
-------------------	-----------------------------	--------

FLOOR RAIL

165001-00550	Pro 550 floor rail As intermediate support for Pro ballast + composite rail	PU: 25
---------------------	--------------------------------------------------------------------------------	--------



FIXGRID PRO

LOAD OPTIMIZED FLAT ROOF SYSTEMS

FIXGRID PRO SCREW-IN TOOL

169008-006	FixGrid Pro screw-in tool For easier assembly and positioning of the screw-in module supports and screw-in raising elements.	PU: 2
-------------------	---------------------------------------------------------------------------------------------------------------------------------	-------

SURFACE PROTECTION MAT STRIPS

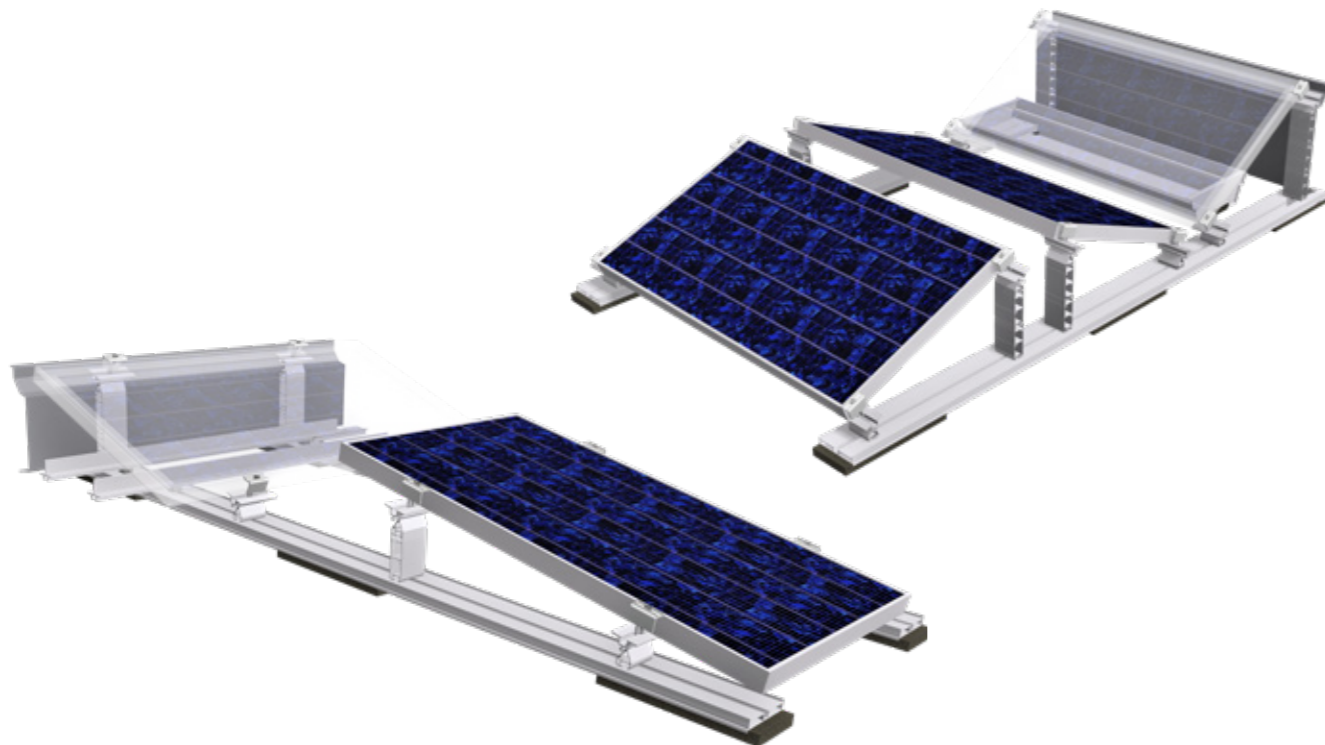
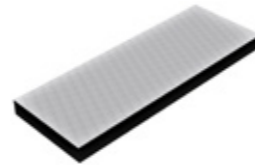
169004-003	Surface protection mat 300 x 110 x 20 mm AK SK	PU: 25
169004-008	Surface protection mat 300 x 110 x 20 mm FH AK SK (On request, please note longer delivery times.)	PU: 25

FLOOR PROFILE CONNECTOR TO BALLAST AND COMPOSITE RAIL

129063-002	RapidConnect90	PU: 100
-------------------	----------------	---------

FASTENING SCREWS FOR WINDSAFE SHEET METAL

943001-232	Thin sheet metal screw 6.0 x 22 A2 with Oz gasket	PU: 100
-------------------	---------------------------------------------------	---------



FLATGRID PRO

LOAD OPTIMIZED FLAT ROOF SYSTEMS

FLOOR PROFILE

165001-01500	Pro floor profile 1500 mm
165001-02500	Pro floor profile 2500 mm
165001-03500	Pro floor profile 3500 mm
165001-04500	Pro floor profile 4500 mm
165001-06000	Pro floor profile 6000 mm

FLOOR PROFILE CONNECTORS

129200-001	Pro floor profile connector	PU: 70
-------------------	-----------------------------	--------

SURFACE PROTECTION MAT STRIPS

169004-003	Surface protection mat 300 x 110 x 20 mm AK SK	PU: 25
169004-008	Surface protection mat 300 x 110 x 20 mm FH AK SK (On request, please note longer delivery times.)	PU: 25

RAPID PRO L BRACKET CONNECTOR

119026-122	Rapid Pro L bracket connector	PU: 100
-------------------	-------------------------------	---------

ACCESSORIES FOR ANGLE BRACKET, TENSION AND RIDGE CONNECTORS

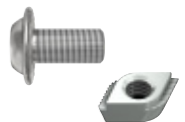
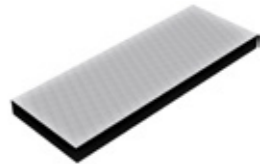
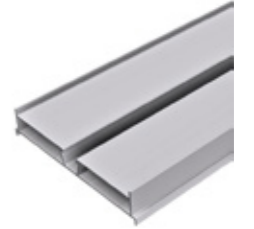
943001-238*	Round head screw M8X16, DIN 34805-2, TX40, A2, with locking teeth and Gleitmo coating	PU: 100
942000-902	Pro hammerhead nut	PU: 100

*Expected to be available from Q4/2023

OTHER ACCESSORIES

129062-021*	Tension connector (2 units are required per connection)	PU: 100
129061-001	Ridge connector set	PU: 50

*Expected to be available from Q3/2023

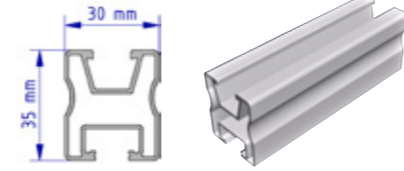


FLATGRID PRO

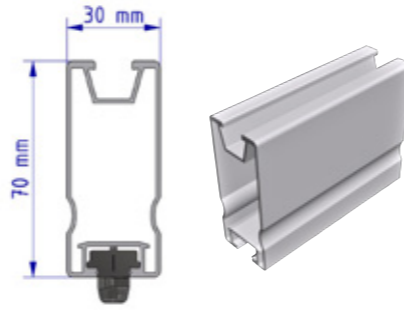
LOAD OPTIMIZED FLAT ROOF SYSTEMS

MODULE SUPPORT PROFILES

120020-00100 Pro 35 100 mm module support profile PU: 100



120022-000 Screw-in profile Pro70 PU: 100



INFORMATION: Additional module support profiles can be found in the module support and mounting profiles Pro section.

BALLAST SHAFT

169020-100 Pro ballast trough



169020-001 Pro ballast tray cover plate PU: 20



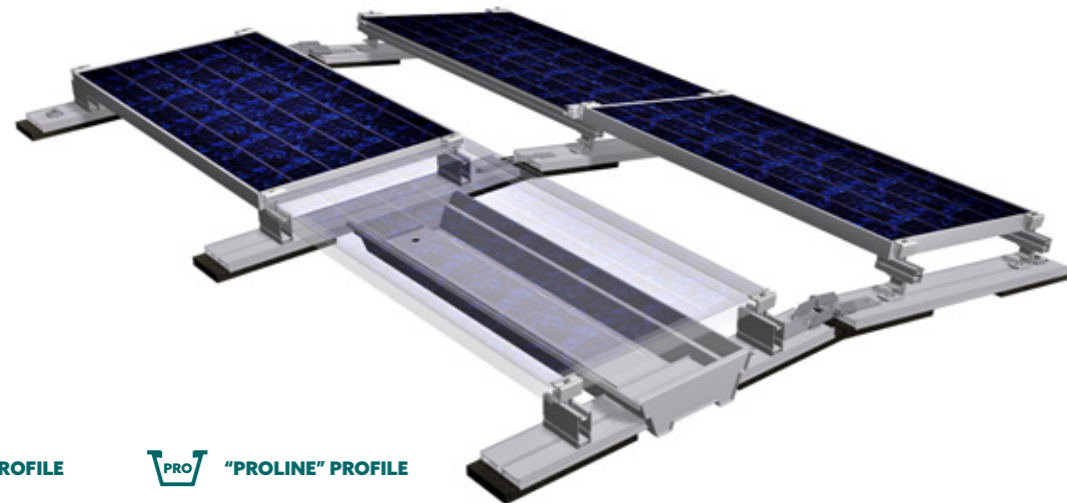
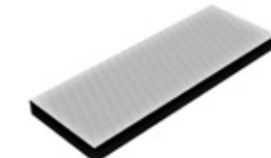
169200-000 Pro ballast tray clamping wedge PU: 10



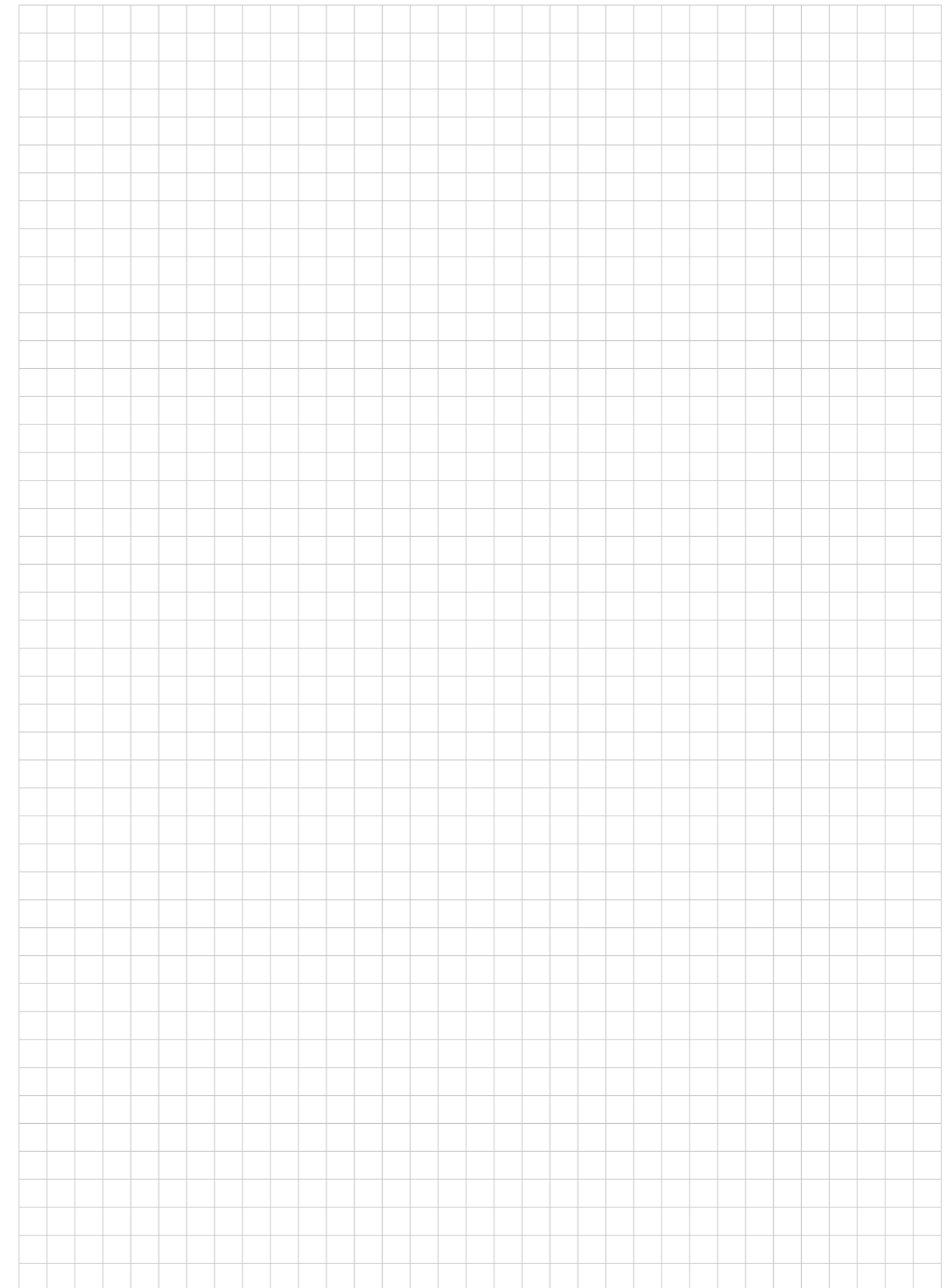
169004-003 Surface protection mat 300 x 110 x 20 mm AK SK PU: 25



169004-008 Surface protection mat 300 x 110 x 20 mm FH AK SK (On request, please note longer delivery times.) PU: 25

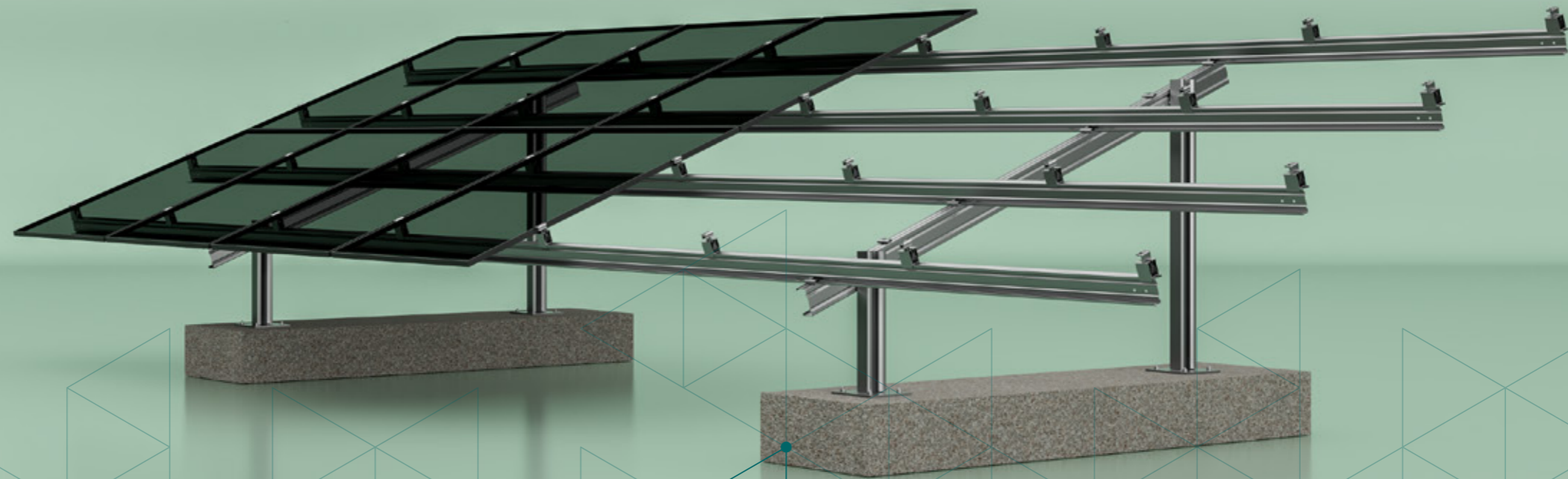


NOTES



PVMAX ENERGY KITS

THE NEW PVMAX-S COMPLEMENTS OUR PRODUCT RANGE OF THE FS STEEL FAMILY WITH A COST-EFFECTIVE AND SIMPLE MODULAR SYSTEM.



PVMAX-S KIT

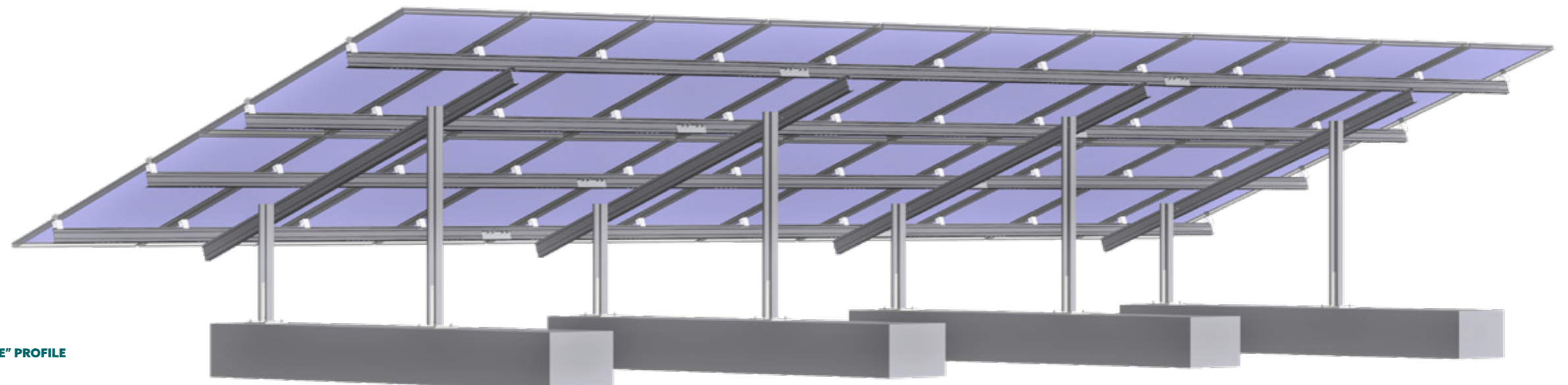
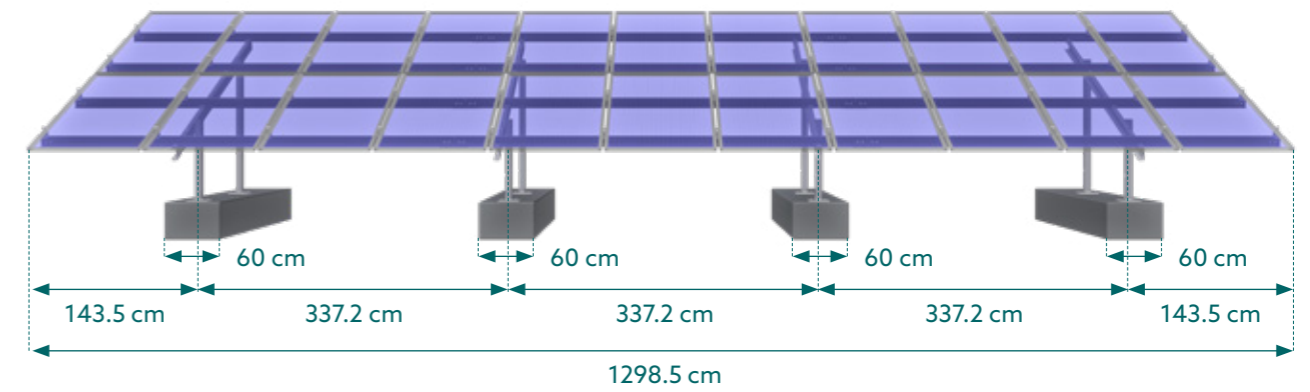
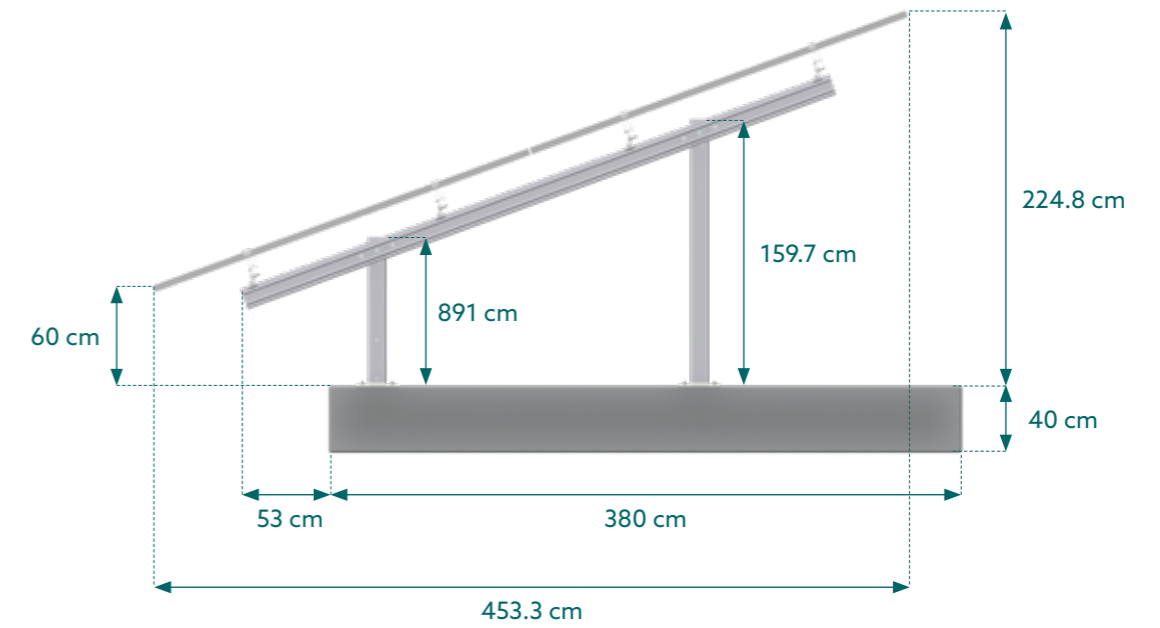
The new PvMax-S complements our product range from the FS steel family with a cost-effective and simple modular system. The new PvMax-S complements our product range from the FS steel family with a cost-effective and simple modular system. PvMax-S combines FS Duo with concrete foundations.

- Fast and easy mounting
- Complete statics verification
- Economical and efficient
- Suitable for 60 (max. 1700 x 1150 mm) and 72 (2400 x 1150 mm) cell modules
- Modules, module clamps, dowels and concrete foundation not included in the scope of delivery

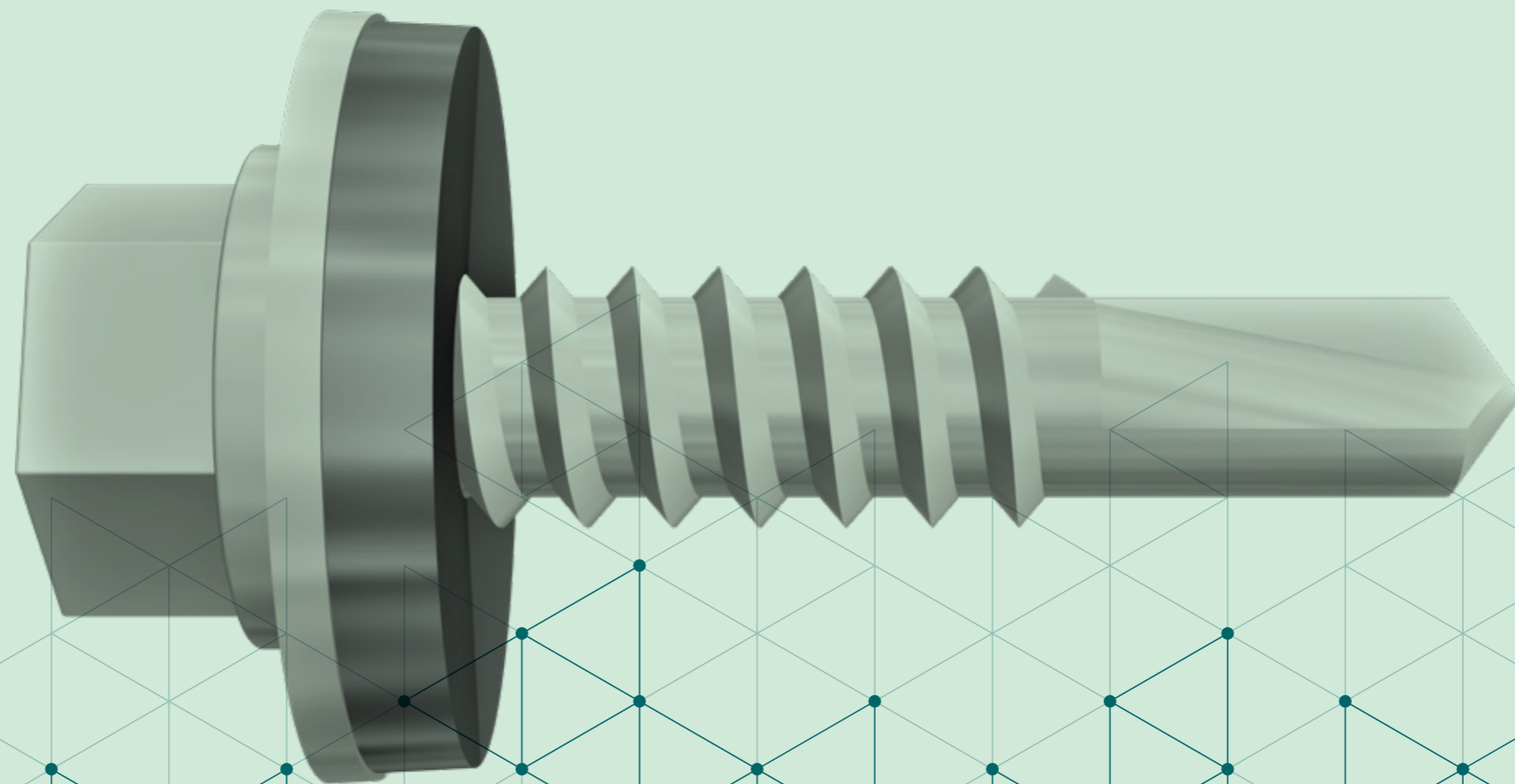
GROUND-MOUNT SYSTEM WITH CONCRETE FOUNDATION

146003-050 PvMax-S Kit 2V LT 11/72 4 posts

DIMENSIONS FOR 72-CELL MODULES



SCREWS AND SMALL PARTS



SCREWS AND SMALL PARTS

HEXAGON HEAD SCREW, A2



943610-025**	M10 x 25	DIN 933	PU: 100
943000-029*	M10 x 25	DIN EN ISO 4017	PU: 100
943000-032	M10 x 35	DIN EN ISO 4017	PU: 100
943000-037*	M10 x 45	DIN EN ISO 4017	PU: 100

*Expected to be available from Q3/2023

** Item will be discontinued. Available while stocks last.



SQUARE HEAD SCREW, A2



943410-025	M10 x 25	PU: 100
-------------------	----------	---------



FLANGE NUT WITH LOCKING TEETH, A4



943912-008**	M8	DIN 6923	PU: 100
943000-015*	M8	DIN EN 1661	PU: 100
943912-010**	M10	DIN 6923	PU: 100
943000-022*	M10	DIN EN 1661	PU: 100

*Expected to be available from Q3/2023

** Item will be discontinued. Available while stocks last.



WASHER LARGE, V2



943000-043	M8	DIN EN ISO 7093-1	PU: 100
943922-010**	M10	DIN 9021	PU: 100
943000-056	M10	DIN EN ISO 7093-1	PU: 100

** Item will be discontinued. Available while stocks last.



ALLEN SCREW WITH LOCKING TEETH, A2



943000-025	M8 x 20	DIN EN ISO 4762	PU: 100
-------------------	---------	-----------------	---------



942000-902	Pro hammerhead nut	PU: 100
-------------------	--------------------	---------



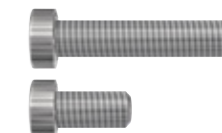
SCREWS AND SMALL PARTS

CYLINDER HEAD SCREW WITH LOCKING TEETH, TX40, A2



943000-063*	M8 x 40	DIN EN ISO 14580	PU: 100
943001-242*	M8 x 16	DIN EN ISO 14580	PU: 100

*Expected to be available from Q4/2023



ROUND HEAD SCREW WITH LOCKING TEETH, TX40, A2



943001-238*	M8 x 16	DIN 34805-2	PU: 100
--------------------	---------	-------------	---------

*Expected to be available from Q4/2023



SQUARE NUT, A4



943914-008	Square nut M8, A4 Fits all Schletter system profiles, can be combined with Klicknut M8 and click-in component	PU: 100
129010-008	KlickIn click-in component for M8 nut For simplified insertion of the M8 square nut at any location on the KlickIn nut M8	PU: 100
943914-010	Square nut M10, A4 Fits all Schletter system profiles, can be combined with Klicknut M8 and click-in component	PU: 100
129010-001	KlickIn click-in component for M10 nut For simplified insertion of the M10 square nut at any location on the KlickIn nut M10	PU: 100



NUT SELF-SECURING, A4



943911-008**	M8	DIN 985	PU: 500
943001-240*	M8	DIN EN ISO 7040	PU: 500

*Available from Q3/2023

** Item will be discontinued. Available while stocks last.



PLEASE NOTE: All locking nuts in all designs and grades are disposable. Both the plastic ring on poly stop nuts and the clamping part on all-metal nuts lose their clamping effect when screwed on and off.

THREADED SCREW, SELF-GROOVING, A2



For steel starting at 1.5 mm



943763-064	6.3 x 64	PU: 100
943763-115	6.3 x 115	PU: 100
943763-150	6.3 x 150	PU: 100
943763-200	6.3 x 200	PU: 50



The mounting points must be pre-drilled with Ø 5 mm.

SCREWS AND SMALL PARTS


FASTENING SCREWS FOR METAL COMPONENTS AND PLATES

		 
943755-925	Drill screw 5.5 x 25 with gasket	PU: 100
943000-700	Thin sheet metal screw 5.5 x 25 A2 with sealing washer With ETA, ETN, MCS012, and German building authority approval. For use in Germany, France and the UK in conjunction with SingleFix Pro.	PU: 100
943000-360	Thin sheet metal screw 6.0 x 25 A2 with sealing washer With ETA, ETN, MCS012, and German building authority approval. For use in Germany, France and the UK in conjunction with SingleFix Pro.	PU: 100
943001-232	Thin sheet metal screw 6.0 x 22 A2 with Oz gasket	PU: 100
943772-019	Repair screw 7.2 x 19 self-grooving FABA-A A2	PU: 500



EPDM RUBBER INLAY 3 MM SELF-ADHESIVE, REEL WITH 50 M, UV-RESISTANT

e.g. for trapezoidal sheet clamps or for laminate modules



		 
973000-041	EPDM rubber self-adhesive 48 mm wide, reel with 50 m	



WOOD SCREW

For non-boarded roofs, we recommend at least 80 mm, for roofs with boarding and counter-battens, at least 120 mm.



WOOD SCREW WITH PLATE HEAD, STAINLESS STEEL

		 
943208-080	8 x 80	PU: 100
943208-100	8 x 100	PU: 100
943208-120	8 x 120	PU: 50



Example

WOOD SCREW WITH PLATE HEAD, GALVANIZED

		 
942208-080	8 x 80	PU: 50
942208-100	8 x 100	PU: 50
942208-120	8 x 120	PU: 50

SEAL FOR PLATE HEAD SCREWS

		 
119016-000	dm 8 EPDM	




 "CLASSIC" PROFILE

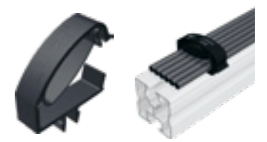
 "PROLINE" PROFILE


SCREWS AND SMALL PARTS

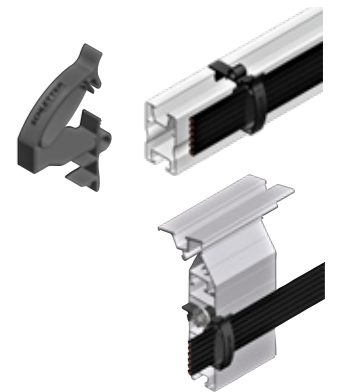
CABLE ROUTING

Cable fastener made of UV- and temperature-resistant plastic



129065-008 Proklip-Multi 8 		
Profiles	Systems	Cable quantity
Click or screw channel M8, module support profile S, module support profile Solo, Eco05, FixZ-7, FixZ-15	FixZ-7, FixZ-15, system FS, carport, special projects	approx. 6* PU: 100





129065-018* Proklip-Multi PS 		
Profiles	Systems	Cable quantity
Click channel for module support profile Pro35, Pro50, Pro70, Pro100	FixGrid Pro (the thin sheet metal screw 943000-700 must be ordered separately for the use with FixGrid Pro)	approx. 6* PU: 100





*Expected to be available from Q3/2023

129065-001 Proklip-Multi 10S  		
Profiles	Systems	Cable quantity
Solo and screw channel M10	-	approx. 4* PU: 100



149023-001 Mounting clips 1.0 – 3.0 mm, upper guide  		PU: 100
Fastening on edges with a width of 1.0 – 3.0 mm; Cable tie length: 200 mm		



149023-002 Mounting clips 1.0 – 3.0 mm, lateral guide  		PU: 100
Fastening on edges with a width of 1.0 – 3.0 mm; Cable tie length: 200 mm		



*Starting with a 6 mm² cable with a 6 mm cable diameter.

WE SUPPORT SOLAR.

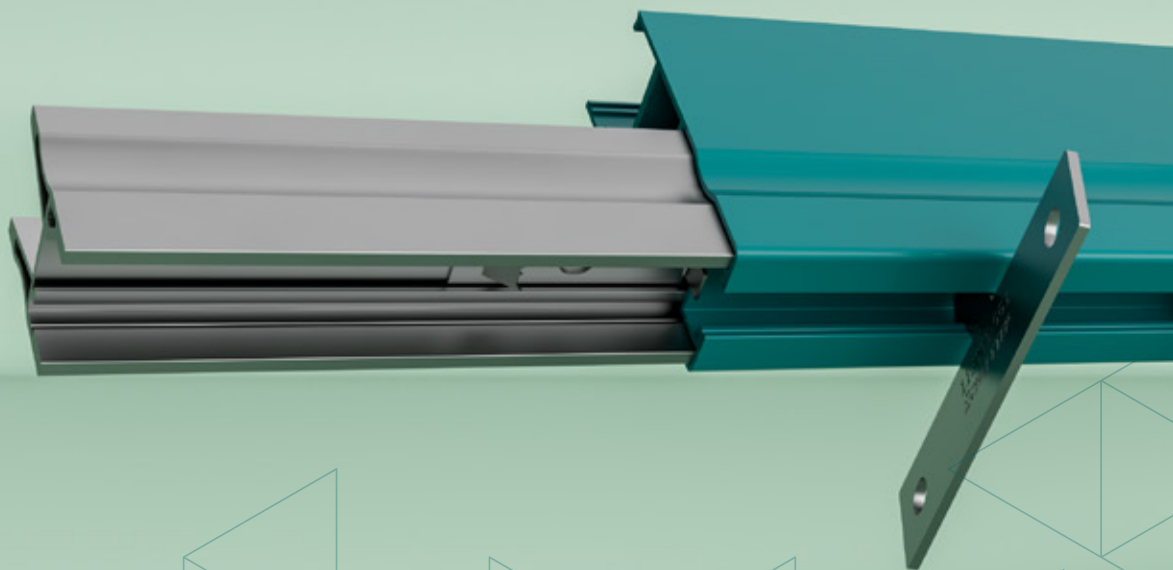
For competent and comprehensive advice in the planning of your system, as well as for logistics and order processing, our employees are at your disposal.



SCHLETTER SOLAR GMBH

Alustraße 1, 83527 Kirchdorf, Germany

www.schletter-group.com



Printed sustainably on eco-friendly recycled paper.