

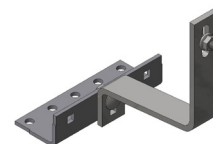
Datasheet ValkPitched - Clamp for tiled roofs

Technical specifications

- Standard hooks for portrait, and twist hooks for landscape panel mounting.
- Thanks to height adjustability in de roof hook, profiles can be mounted in a straight line.
- All roof hooks are made of stainless steel.
- Pre-mounted with hammerhead bolt and surration nut.
- Side mounting for easy and fast installation.
- Special screws with special tip for strong fixation.

Article overview

| Standard roof | |
|----------------------|--|
| USP | High flexibility thanks to three-way adjustability of the hook |
| Article number | 747844 |
| Description | Stainless steel roof hook - adjustable side |
| Strength | 855 N |
| Adjustability top | 27 mm |
| Adjustability bottom | 13 mm |
| Adjustability width | 50 mm |
| Min. batten distance | 65 mm |
| Article number | 747845 |
| Description | Stainless steel roof hook - adjustable side twist |
| Strength | 855 N |
| Adjustability top | 27 mm |
| Adjustability bottom | 13 mm |
| Adjustability width | 50 mm |
| Min. batten distance | 65 mm |



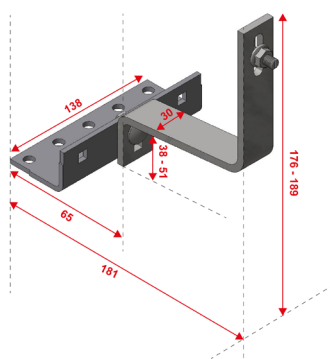
Fixation material

| Torx-screw | |
|----------------|---|
| USP | Special tip and thread for easy and strong fixation |
| Article number | 773360 |
| Description | Stainless steel torx-screw T30 |
| Measurements | 5,5 x 58 (thread: 36 mm) |

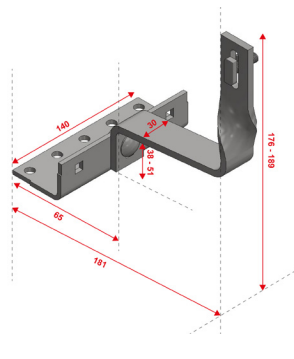


Measurements

Art. nr. 747844



Art. nr. 747845



CONTACT DETAILS | DEVELOPER AND PRODUCER OF SOLAR MOUNTING SYSTEMS